

RSGV-HP

RESILIENT SEATED GATE VALVE
 HIGH PRESSURE
 DN80 - DN300

TECHNICAL DATA

Size Range:	DN80 - DN300
Pressure Class	PN25
Face to face:	AS2638.2 - 2011
Flange Connection:	AS4087 B6
	AS2129 Table F
Coating:	AS4020 Approved

OPTIONS

- Keycap operation available.
- Anti-clockwise closing available.

MATERIAL SPECIFICATION & PARTS LIST

NO.	DESCRIPTION	MATERIAL
1	Body	Ductile Iron
2	Wedge	Ductile Iron
	Wedge Rubber	EPDM
3	Stem Nut	Bronze
4	Stem	SS431
5	Bonnet Gasket	EPDM
6	Bonnet	Ductile Iron
7	Bonnet Bolt	SS316
9	Washer	POM
10	Washer	Bronze
11	Bonnet O-Ring	NBR
12	Top Bonnet O-Ring	NBR
13	Thrust Collar	POM
14	Seal Retainer	Ductile Iron
15	Dustproof Cover	EPDM
16	Top Bonnet Bolt	SS316
17	Plastic Cap	Plastic
18	Stem Cap	Ductile Iron
19	Stem Cap Bolt	SS316
20	Handwheel	Ductile Iron
21	Handwheel Washer	Carbon Steel
22	Handwheel Bolt	SS316

DIMENSIONAL DRAWINGS

FIGURE 1. RSGV-HP WITH HANDWHEEL
SECTION A - A

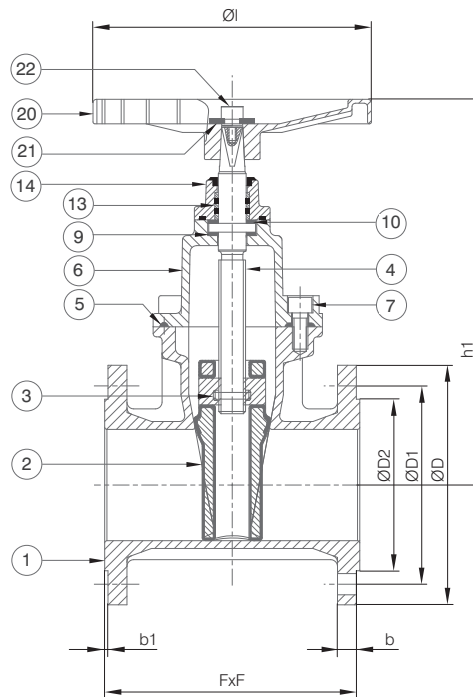
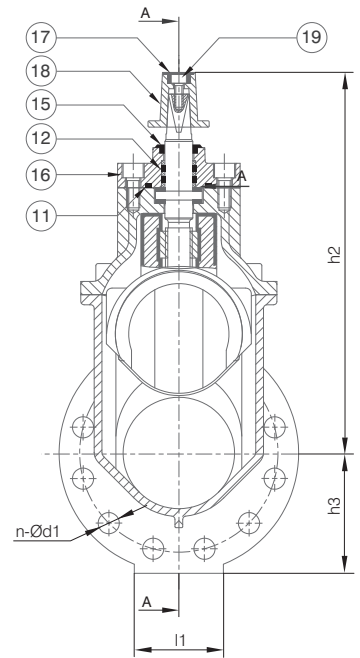


FIGURE 2. RSGV-HP WITH KEYCAP



DIMENSIONS (MM)

RSGV-HP DN80 - DN300																
DN	FxF	b	b1	h1	h2	h3	Øl	l1	ØD	ØD1	ØD2	n-Ød1	Closure Turns	Torque (n.m)	Weight (Kg)	
80	203	22	3	320	308	100	200	80	205	165	141	8-18	22	75	23	
100	229	22	3	350	342	115	250	80	230	191	167	8-18	22	100	32	
150	267	27	3	470	460	155	350	80	305	260	232	12-22	32	150	53	
200	292	31	3	565	580	185	350	140	370	324	296	12-22	36	200	82	
225	305	34	3	660	675	203	500	170	405	356	324	12-26	44	200	120	
250	330	34	3	660	675	215	500	180	430	381	349	12-26	44	250	135	
300	356	38	4	770	780	245	500	190	490	438	406	16-26	45	300	185	

Designs, materials and specifications shown are subject to change without notice due to our continuing program of product development.
 RSGV-HP_V1a_20200814

All content is protected by Copyright and is owned and/or licensed by AVFI Pty Ltd. Copyright © AVFI Pty Ltd.

