

### TECHNICAL DATA

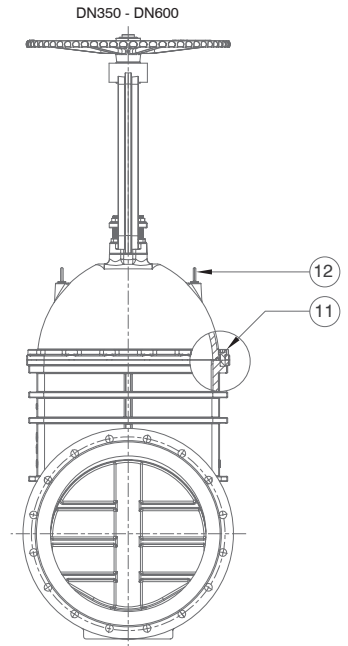
Size Range:	DN50 - DN600
Pressure Class	PN16
Face to face:	AS2638.2 & ANSI B16.10
Flange Drilling:	AS4087CL16 (ANSI B16.10, or AS2129 Table E also available)
Hydraulic Testing to:	
Seat Test Pressure:	17.6 bar
Body Test Pressure:	24 bar

### FEATURES

- Solid wedge
- Outside screw and yoke
- Fusion bonded epoxy coated

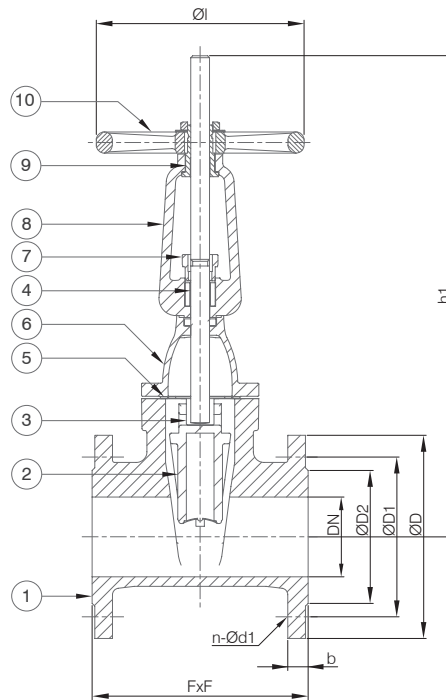
### OPTIONS

- Clockwise or anti-clockwise
- Flange drilling connection

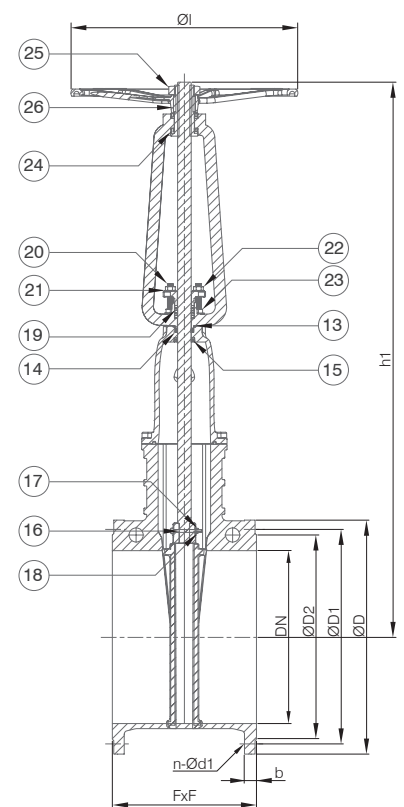


### DIMENSIONAL DRAWINGS

DN50 - DN300



DN350 - DN600



### MATERIAL SPECIFICATION & PARTS LIST

NO.	DESCRIPTION	MATERIAL
1	Body	Ductile Iron (GGG50)
2	Wedge	Ductile Iron + EPDM
3	Wedge Nut	Bronze (C95210)
4	Stem	SS431
5	Bonnet Gasket	EPDM
6	Bonnet	Ductile Iron (GGG50)
7	Gland	Ductile Iron (GGG50)
8	Yoke	Ductile Iron (GGG50)
9	Stem Bush	Bronze (C95210)
10	Handwheel	Ductile Iron (GGG50)
11	Bolt	Grade 8.8 Carbon Steel
12	Eye Bolt	Carbon Steel
13	O-Ring	NBR
14	O-Ring	NBR
15	V-Ring	NBR
16	Bolt	SS316
17	Washer	SS316
18	Nut	SS316
19	Stuffing	NBR
20	Stud	SS316
21	Washer	SS316
22	Nut	SS316
23	Lock Nut	SS316
24	Bearing	Bronze (C95210)
25	Lock Nut	SS316
26	Key	SS316

### DIMENSIONS (MM)

MSGV-RS DN50 - DN300								
DN	FxF	b	ØI	h1	ØD	ØD1	ØD2	n-Ød1
50	178	18	180	423	150	114	90	4-18
65	190	18	180	450	165	127	103	4-18
80	203	18	200	535	185	146	122	4-18
100	229	20	200	590	215	178	154	4-18
125	254	23	250	745	255	210	186	8-18
150	267	23	280	790	280	235	211	8-18
200	292	23	320	974	335	292	268	8-18
250	330	24	350	1185	405	356	328	8-22
300	356	30	380	1375	455	406	378	12-22

MSGV-RS DN350 - DN600								
DN	FxF	b	ØI	h1	ØD	ØD1	ØD2	n-Ød1
350	381	33	500	1273	525	470	438	12-26
400	406	33	560	1423	580	521	489	12-26
450	432	33	640	1575	640	584	532	12-26
500	457	35	730	1672	705	641	609	16-26
600	508	42	730	1956	825	756	720	16-30