

## RSFC

NON SLAM RESILIENT SEATED  
CHECK VALVE PN16 RATED



page 1

### FEATURES

- Non slam.
- 100% sealing.
- Non clogging.
- Lower power consumption due to lower headloss.
- Will not flutter like traditional swing check valves.
- One moulded part (no maintenance).
- No counterweight needed.

### TECHNICAL DATA

Size Range:	DN80 - DN600
Pressure Classes:	PN16
Face to face:	According to AS4794 (excluding 500mm)
Temperature Range:	1 °C to 80 °C (higher on request)
Flange Connection:	AS4087, Class 16
Pressure Testing:	To AS4794
Coating:	AS4020 approved epoxy.

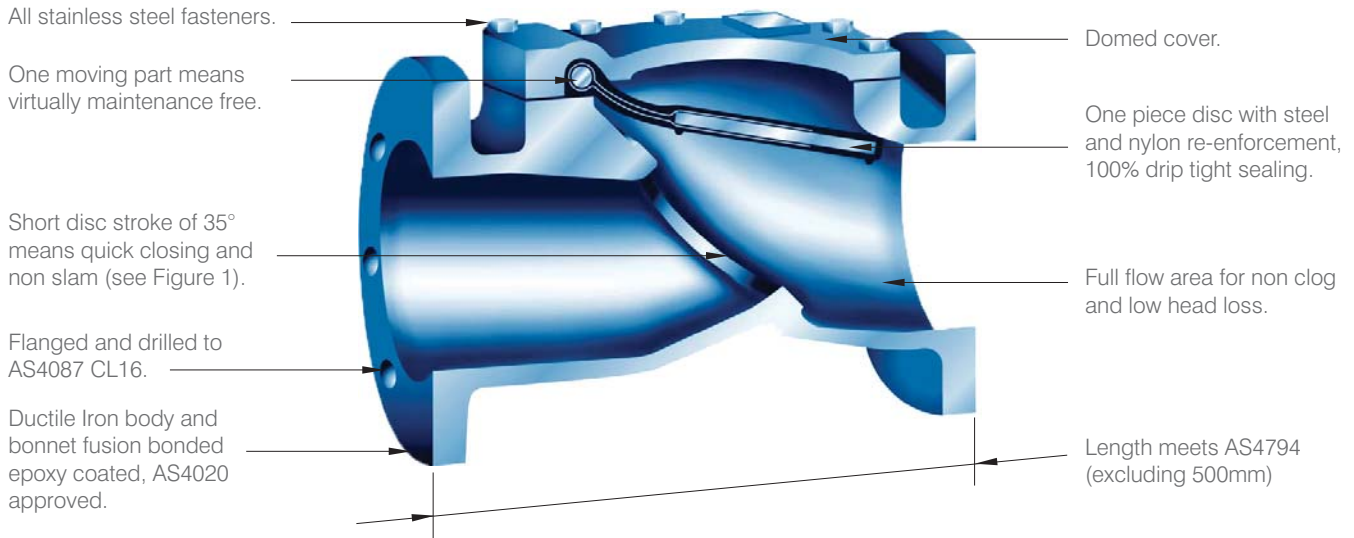
# RSFC

NON SLAM RESILIENT SEATED  
CHECK VALVE PN16 RATED



## BENEFITS

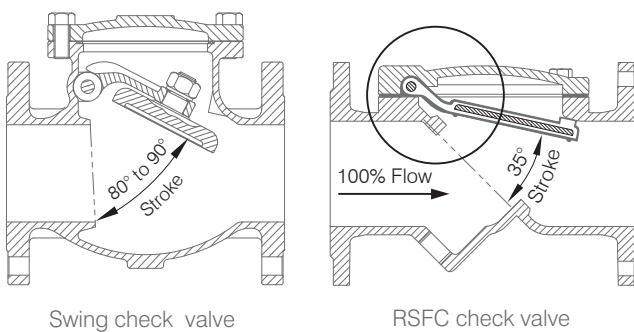
The RSFC check valve offers efficiency and reliability due to its simple but effective design. Low head loss is achieved by streamlined shape of body, disc and cover whilst offering 100% flow area with no restrictions. In addition water hammer and disc flutter is virtually eliminated and there is no need for a counterweight. This reduces power consumption, saving money and making it environmentally friendly.



page 2

The RSFC check valves short design stroke of 35° provides faster sealing compared to conventional swing check of 80-90°. This natural closing minimizes flow reversal and means no slamming as seen in conventional check valves. This design also means that the disc is pushed up against body, even at low flow, eliminating disc "flutter" that can cause high wearing of shafts and bearings. Power savings are also achieved as the RSFC does not require a weight to keep the disc in the flow or for closure of disc.

Figure 1. Typical swing check vs RSFC check valve travel distance.

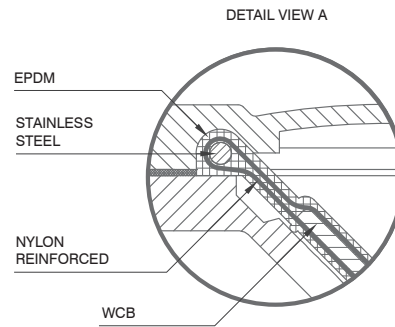


The heart of the RSFC is the disc assembly and features:

- Special precision moulded EPDM one piece disc.
- Internal steel re-enforcement disc for positive closure.
- Nylon re-enforcement to maintain shape and strength.
- Raised soft sealing face for 100% sealing at low or high pressures. Eliminates metal to metal disc face wear.
- One moving part means no shafts, bearings or disc/body rings to maintain.
- Quick and easy field access.

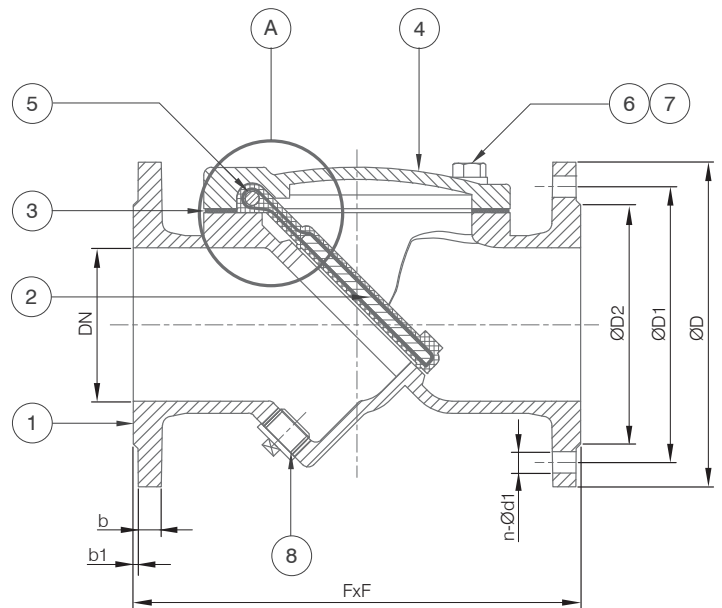
## MATERIAL SPECIFICATIONS & PARTS LIST

NO.	DESCRIPTION	MATERIAL
1	Body	Ductile Iron (GGG50)
2	Flapper	WCB + EPDM (Standard) WCB+ NBR (On Request)
3	Gasket	NBR
4	Bonnet	Ductile Iron (GGG50)
5	Pin	SS316
6	Bolt	SS316
7	Washers	SS316
8	Nuts	SS316

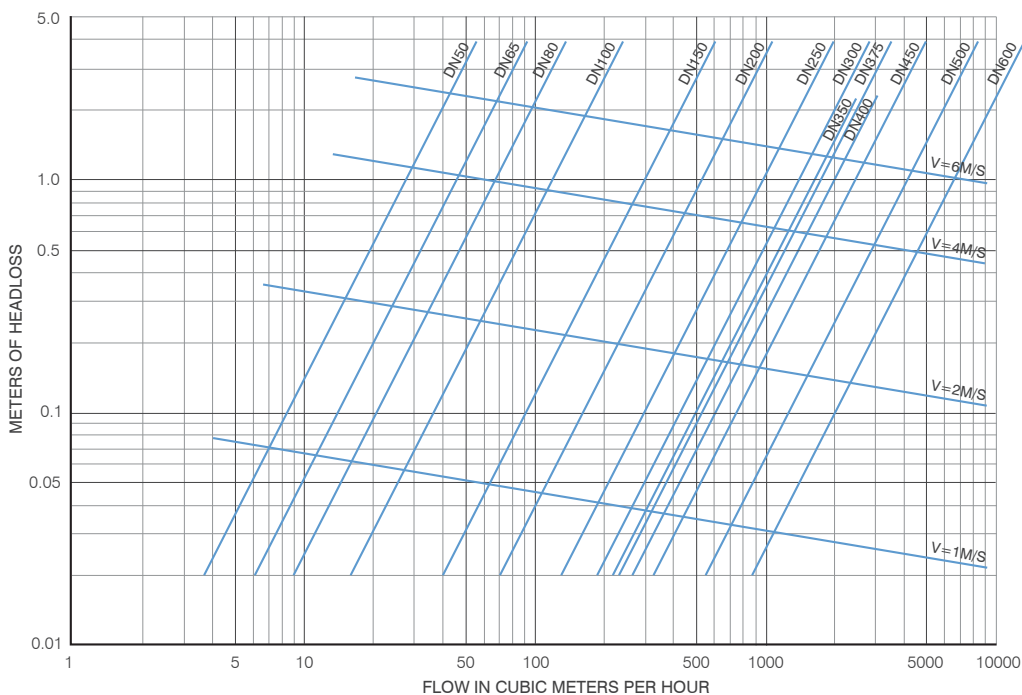


## DIMENSIONS (MM)

RSFC DN50 - DN600								
DN	FxF	b	b1	ØD	ØD1	ØD2	n-Ød1	Weight (Kg)
80	260	18	3	185	146	122	4-18	15
100	330	20	3	215	178	154	4-18	21
150	410	23	3	280	235	211	8-18	40
200	540	23	3	335	292	268	8-18	76
225	610	24	3	370	324	300	8-18	93
250	640	24	3	405	356	328	8-22	122
300	700	30	4	455	406	378	12-22	218
375	820	33	4	550	495	463	12-26	247
400	914	33	4	580	521	489	12-26	311
450	970	33	4	640	584	552	12-26	416
500	978	35	4	705	641	609	16-26	520
600	1220	42	5	825	756	720	16-30	790



## VALVE HEADLOSS



Designs, materials and specifications shown are subject to change without notice due to our continuing program of product development. RSFC\_V2a\_20170517

All content is protected by Copyright and is owned and/or licensed by AVFI Pty Ltd. Copyright © AVFI Pty Ltd.