

## TECHNICAL DATA

Size Range:	DN50 - DN1200
Pressure Class	PN16, PN25
Face to face:	According to AS2638.1
Flange Drilling:	AS4087CL16 & AS4087 CL35 (standard) AS2129 Table E & Table F (optional)
Leaking Test:	AS2638.1
Coating:	AS4020

## FEATURES

- 350mm and above available with gearbox.
- Fusion Bonded epoxy coated to AS4020.
- Solid wedge.
- Replaceable bronze wear rings.

## OPTIONS

- Chain wheel and other operators available.
- Clockwise or anti-clockwise available

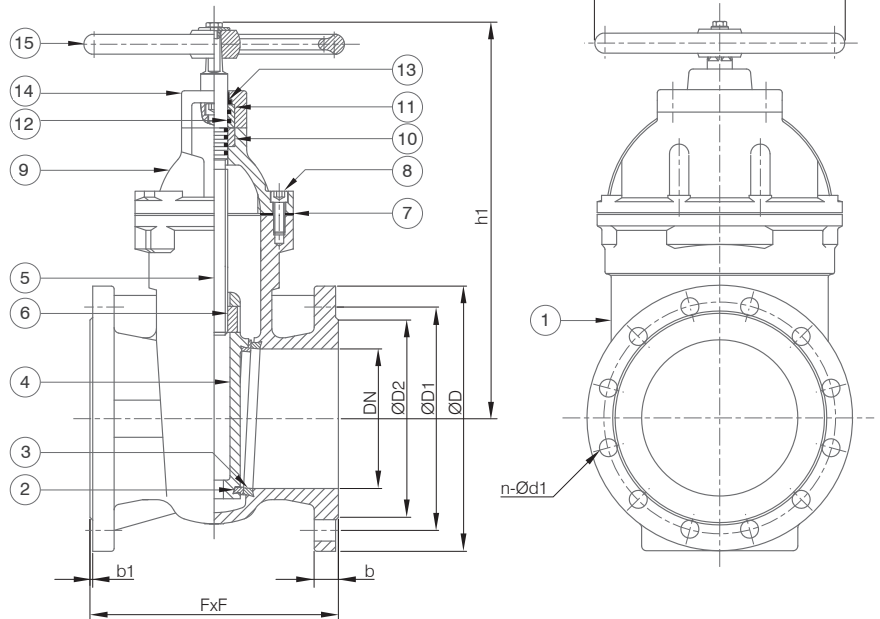


## MATERIAL SPECIFICATION & PARTS LIST

NO.	DESCRIPTION	MATERIAL
1	Body	Ductile Iron
2	Gate Sealing Ring	Bronze
3	Body Sealing Ring	Bronze
4	Wedge	Ductile Iron
5	Stem	SS316
6	Stem Nut	Bronze
7	Bonnet Gasket	NBR
8	Bolt	SS316
9	Bonnet	Ductile Iron
10	Holding Ring	Bronze
11	Sealing Ring	Bronze
12	O-Ring	NBR
13	Dust Ring	NBR
14	Gland	Ductile Iron
15	Handwheel	Ductile Iron

## DIMENSIONAL DRAWINGS

MSGV WITH HANDWHEEL  
DN50-DN600



## DIMENSIONS (MM)

MSGV DN50 - DN300					AS4087 CL16 DRILLING					AS4087 CL35 DRILLING						
DN	FxF	b1	h1	Øl	ØD	ØD1	ØD2	n-Ød1	b	Weight (Kg)	ØD	ØD1	ØD2	n-Ød1	b	Weight (Kg)
50	178	3	260	180	165	114	99	4-18	19	20	165	127	99	4-18	19	26
65	190	3	285	180	185	127	118	4-18	19	28	185	146	118	8-18	19	37
80	203	3	335	205	200	146	132	4-18	19	29	200	165	132	8-18	19	38
100	229	3	365	240	220	178	156	4-18	19	38	235	191	156	8-18	19	50
150	267	3	480	280	285	235	211	8-18	19	68	300	260	211	12-22	20	89
200	292	3	570	320	340	292	266	8-18	20	100	360	324	274	12-22	22	130
250	330	3	670	360	405	356	319	8-22	22	163	425	381	330	12-26	24.5	212
300	356	4	775	450	460	406	370	12-22	24.5	232	485	438	389	16-26	27.5	302

For sizes DN350 and above, refer to page 2.

# MSGV SERIES

NON RISING SPINDLE  
METAL SEATED GATE VALVE

## DIMENSIONS (MM)

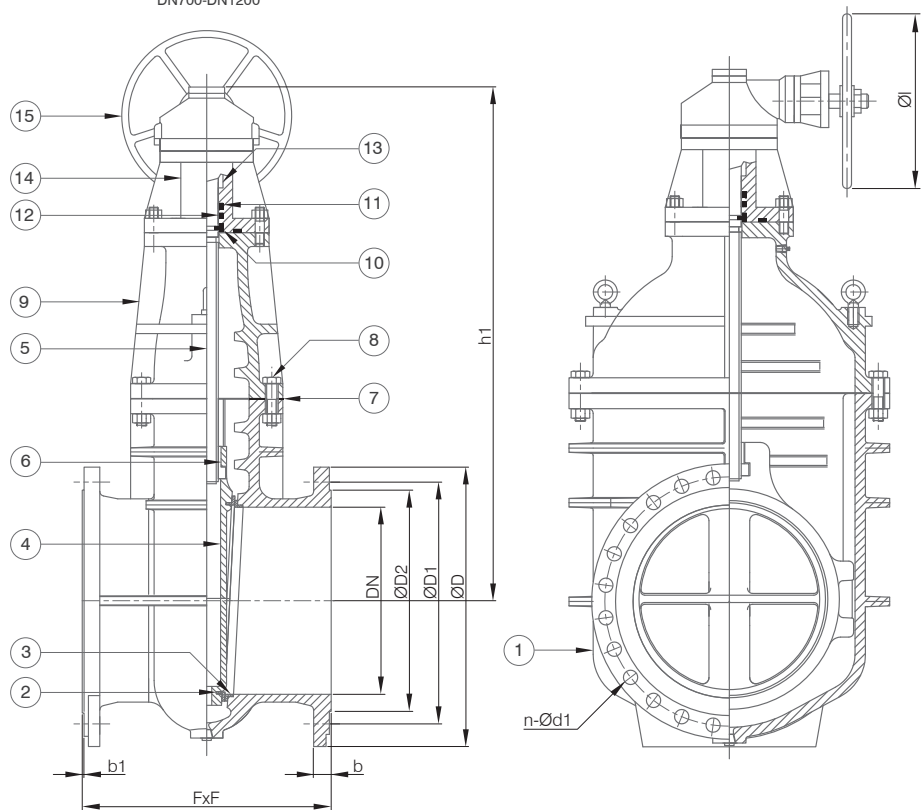
MSGV DN350 - DN600				AS4087 CL16 DRILLING							AS4087 CL35 DRILLING						
DN	b1	h1	ØI	FxF	ØD	ØD1	ØD2	n-Ød1	b	Weight (Kg)	FxF	ØD	ØD1	ØD2	n-Ød1	b	Weight (Kg)
350	4	883	460	381	520	470	429	12-26	26.5	495	572	555	495	448	16-30	30	560
400	4	976	460	406	580	521	480	12-26	28	585	610	620	552	503	20-30	32	700
450	4	1057	640	432	640	584	548	12-26	30	692	660	670	610	548	20-33	34.5	790
500	4	1152	640	457	715	641	609	16-26	31.5	913	711	730	673	609	24-33	36.5	1080
600	5	1298	900	508	840	756	720	16-30	36	1334	787	845	781	720	24-36	42	1590

## MATERIAL SPECIFICATION & PARTS LIST

NO.	DESCRIPTION	MATERIAL
1	Body	Ductile Iron
2	Gate Sealing Ring	Bronze
3	Body Sealing Ring	Bronze
4	Wedge	Ductile Iron
5	Stem	SS316
6	Stem Nut	Bronze
7	Bonnet Gasket	NBR
8	Bolt	SS316
9	Bonnet	Ductile Iron
10	Holding Ring	Bronze
11	Sealing Ring	Bronze
12	O-Ring	NBR
13	Dust Ring	NBR
14	Gland	Ductile Iron
15	Handwheel	Ductile Iron

## DIMENSIONAL DRAWINGS

MSGV WITH GEARBOX & HANDWHEEL  
DN700-DN1200



## DIMENSIONS (MM)

MSGV DN700 - DN1200				AS4087 CL16 DRILLING							AS4087 CL35 DRILLING							
DN	b1	ØI	FxF	ØD	ØD1	ØD2	n-Ød1	b	h1	Weight (Kg)	FxF	ØD	ØD1	ØD2	n-Ød1	b	h1	Weight (Kg)
700	5	720	610	910	845	794	20-30	39.5	1640	2000	900	960	857	820	24-36	46.5	1647	2720
750	5	720	660	970	927	850	20-33	43	1726	2688	950	1025	898	875	28-36	49	1726	3790
800	5	720	660	1027	984	901	20-36	43	1802	2688	1000	1085	984	928	28-36	51	1828	3790
900	5	720	711	1125	1092	1001	24-36	46.5	1981	3450	1100	1185	1105	1028	32-39	55.5	2007	4210
1000	5	900	811	1255	1175	1112	24-36	50	2280	4500	1200	1320	1194	1140	36-39	60	2280	5870
1200	5	900	960	1485	1410	1328	32-36	57	2520	5875	1400	1530	1441	1350	40-42	69	2520	7700

Designs, materials and specifications shown are subject to change without notice due to our continuing program of product development. MSGV Series\_V2\_20150811

All content is protected by Copyright and is owned and/or licensed by AVFI Pty Ltd. Copyright © AVFI Pty Ltd.