

ACB-100 SERIES

BALL CHECK VALVE
DUCTILE IRON PN16
DN32 - DN500



FLANGED CONNECTION



THREADED CONNECTION (BSP)

FEATURES

- Full bore ductile iron body.
- Higher pressure rating compared to other ball checks.
- Self-cleaning sinking type silent nitrile coated ball.
- Inside and outside epoxy-coating.
- Low pressure drop.
- Removable bonnet for cleaning or changing the ball without disassembly out of the pipeline.
- Horizontal and vertical installation in the pipeline.
- Light weight design for easy installation.

OPTIONS

- Other flange connections.
- Size above 500mm available.

TECHNICAL DATA

Size Range:	DN50 - DN500 (Flanged) DN32 to DN65 (Threaded)
Pressure Classes:	PN16
Face to face:	EN-558-1 series 48 (DIN3202 F6)
Temperature Range:	10 °C to +80 °C
Threaded Connection:	BSP
Flange Drilling:	AS4087 CL16
Leakage Tests:	EN 12266
Coating:	Fusion Bonded Epoxy
Minimum Backpressure:	0.3 - 0.5bar

ACB-100 SERIES

BALL CHECK VALVE
DUCTILE IRON PN16
DN32 - DN500



MOUNTING IN PIPELINE

FIGURE 1. HORIZONTAL INSTALLATION

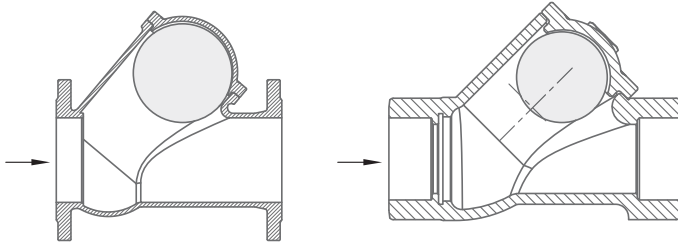
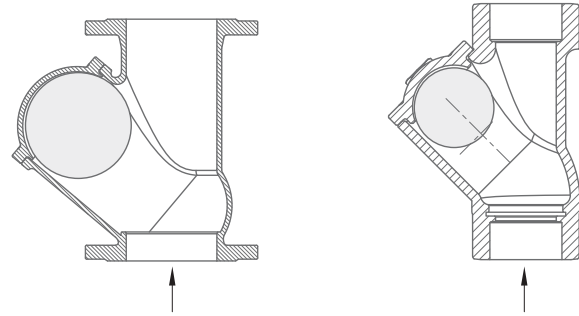


FIGURE 2. VERTICAL INSTALLATION



MATERIAL SPECIFICATIONS & PARTS LIST

NO.	DESCRIPTION	MATERIAL
1	Body	Ductile Iron
2	Bonnet	Ductile Iron
3	Ball	Steel & NBR (standard) Steel & EPDM (optional)
4	Bonnet Gasket	NBR (standard) EPDM (optional)
5	Bolts	Stainless Steel

DIMENSIONS (MM)

ACB-100 SERIES FLANGED CONNECTION								
DN	FxF	b	h1	ØD	ØD1	ØD2	n-Ød1	Weight (kg)
50	200	19	100	165	114	90	4-18	6.5
65	240	19	125	185	127	103	4-18	11
80	260	19	136	200	146	122	4-18	14.35
100	300	20	185	220	178	154	4-18	19.98
125	350	20	196	250	210	186	8-18	30.4
150	400	23	265	285	235	207	8-18	42.3
200	500	23	340	340	292	264	8-18	73.5
250	600	24	420	405	356	328	8-22	128
300	700	30	480	460	406	374	12-22	180
350	800	33	580	505	470	438	12-26	290
400	900	33	730	580	521	490	12-26	420
500	1100	33	900	705	641	609	16-26	580

ACB-100 SERIES THREADED CONNECTION				
DN	FxF	h1	ØD	Weight (kg)
32	135	72	50	2
40	145	85	60	2
50	175	100	70	3
65	200	125	90	5

DIMENSIONAL DRAWING

FIGURE 3. FLANGED CONNECTION

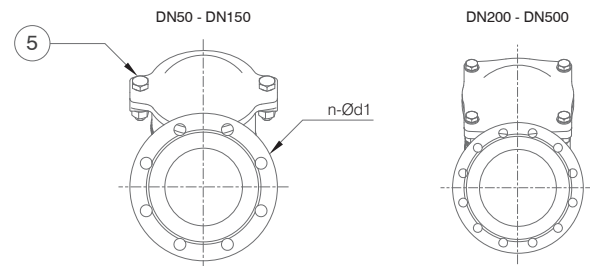
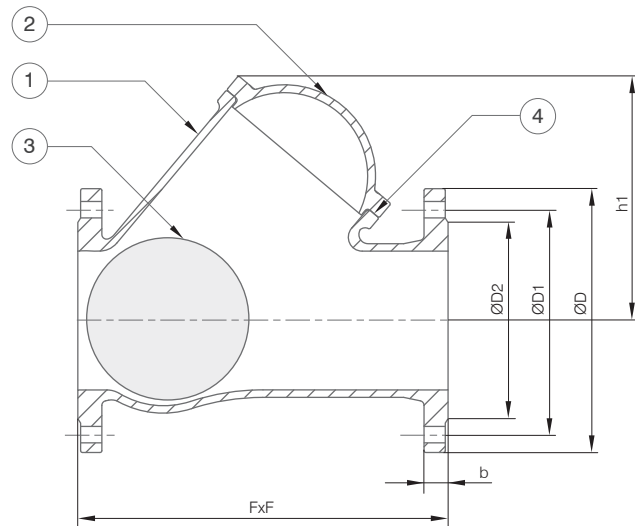
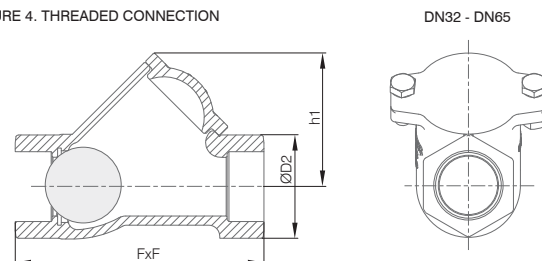


FIGURE 4. THREADED CONNECTION

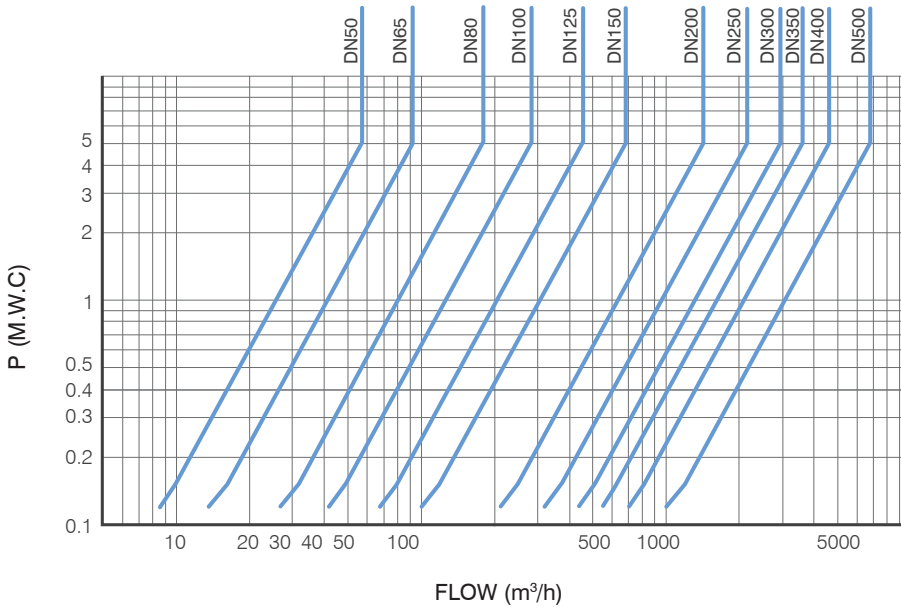


Designs, materials and specifications shown are subject to change without notice due to our continuing program of product development. ACB-100 Series_V2b_20200520

All content is protected by Copyright and is owned and/or licensed by AVFI Pty Ltd. Copyright© AVFI Pty Ltd.

PRESSURE DROP GRAPH

FLANGED



THREADED

