

V3MH SERIES

3 PIECE FULL BORE BSP LEVER OPERATED
316 STAINLESS STEEL BALL VALVE
DIRECT MOUNTING PAD

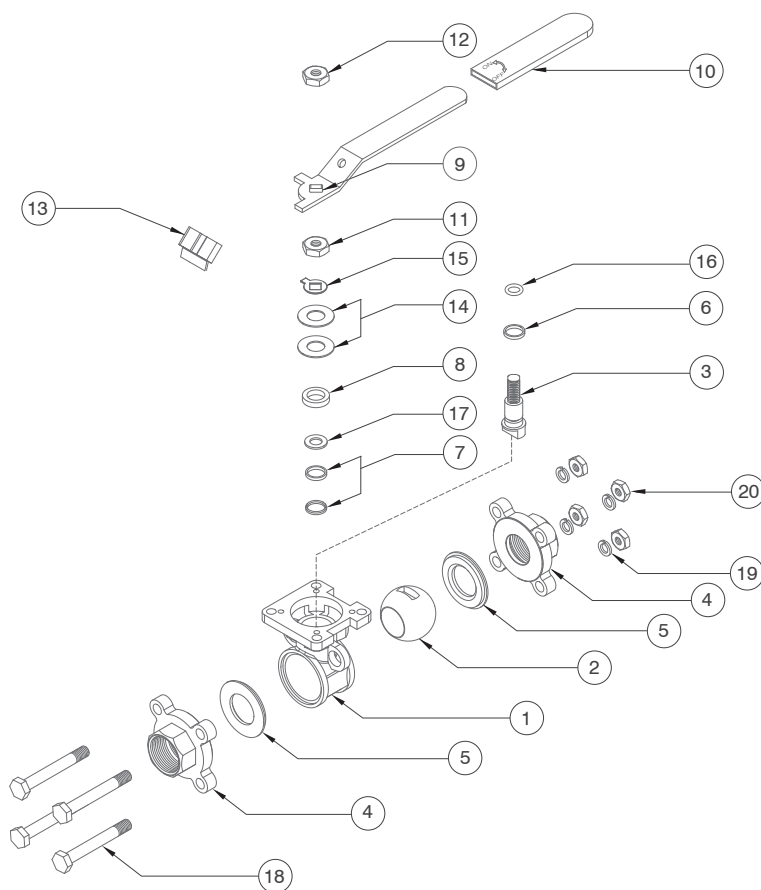
TECHNICAL DATA

Size Range:	DN8 - DN100 (1/4" - 4")
Pressure Rating at 20°C:	1000PSI W.O.G
Pressure Test:	API598
Features:	<ul style="list-style-type: none"> • SS316 body, cap & ball. • Full bore. • Threaded BSP. • Quality Investment casting body & cap. • Internal entry blow-out proof stem. • Lever handle with locking device.



MATERIAL SPECIFICATIONS & PARTS LIST

NO.	DESCRIPTION	MATERIAL
1	Body	CF8M
2	Ball	CF8M
3	Stem	SS316
4	End Cap	CF8M
5	Seat	RTFE
6	Thrust Washer	RTFE
7	Stem Packing	RTFE
8	Gland Bush	SS304
9	Handle	SS304
10	Handle Sleeve	VINYL GRIP
11	Stem Nut	SS304
12	Handle Nut	SS304
13	Locking Pad	SS304
14	Belleville Washer	SS304-CSP
15	Tab Washer	SS304
16	O-Ring	VITON
17	Packing Follower	PTFE + 25%G.F.
18	Body Bolt	SS304
19	Bolt Washer	SS304
20	Bolt Nut	SS304

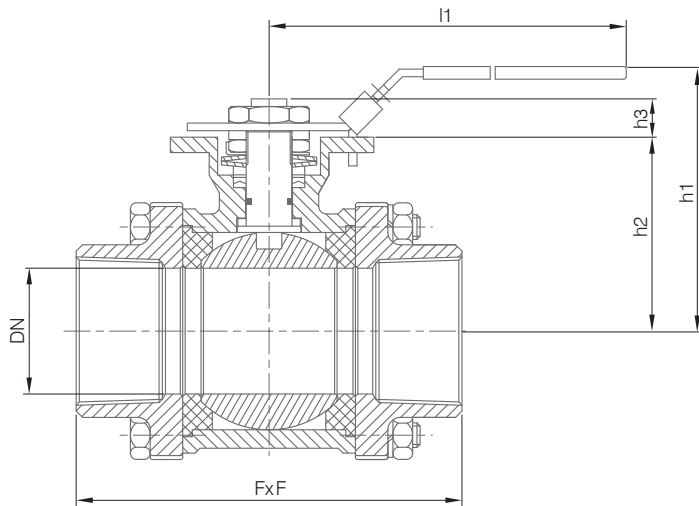
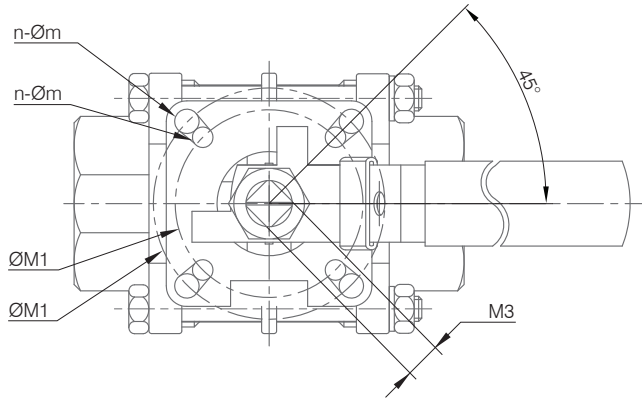


V3MH SERIES

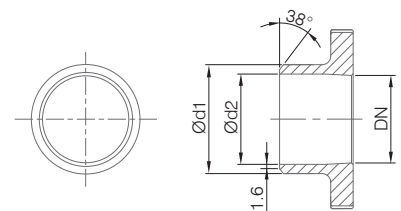
3 PIECE FULL BORE BSP LEVER OPERATED
316 STAINLESS STEEL BALL VALVE
DIRECT MOUNTING PAD



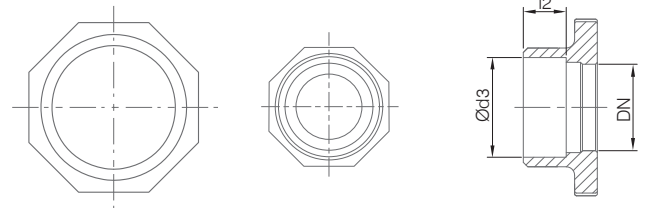
DIMENSIONAL DRAWINGS



BUTT WELD END (OPTIONAL)



SOCKET WELD END (OPTIONAL)



page 2

DIMENSIONS (MM)

V3MH DN8 - DN100								ISO 5211 TOP FLANGE						SOCKET&BUTT WELD			
DN	NPS	FxF	h1	h2	h3	l1	FLANGE NO.	n-Øm	ØM1	M3	CV Factor	Torque (N.m)	Weight (Kg)	Ød1	Ød2	Ød3	l2
8	¼"	63.5	73	37	8.5	112	F03/04	4-6	36/42	9	8	7.7	0.6	14	11	14	10
10	⅜"	63.5	73	37	8.5	112	F03/04	4-6	36/42	9	14	7.7	0.6	17	13	18	10
15	½"	63.5	73	37	8.5	112	F03/04	4-6	36/42	9	26	7.7	0.6	21	16	22	10
20	¾"	72.5	80.8	45	8.5	112	F03/04	4-6	36/42	11	51	15.5	0.7	27	21	27	13
25	1"	81	90.5	53.5	11.4	136	F04/05	4-6/7	42/50	11	68	21	1.0	33	27	34	13
32	1 ¼"	94.5	98.7	59.3	11.4	185	F04/05	4-6/7	42/50	11	120	20	1.6	42	35	43	13
40	1 ½"	108	115.3	74.8	14	198	F05/07	4-7/9	50/70	14	170	39	2.5	48	41	49	13
50	2"	121.5	124	83.5	13.7	198	F05/07	4-7/9	50/70	14	376	70	3.4	60	53	61	16
65	2 ½"	157.5	155	108.8	18	264	F07/10	4-9/11	70/102	17	510	89	6.4	73	63	77	16
80	3"	190	208.5	118.3	18	264	F07/10	4-9/11	70/102	17	996	116	11.2	89	78	90	16
100	4"	225	216.7	153.8	23	325	F10/12	4-9/11	102/125	22	1893	300	22	114	102	115	22

PRESSURE RATINGS

