



## TECHNICAL DATA

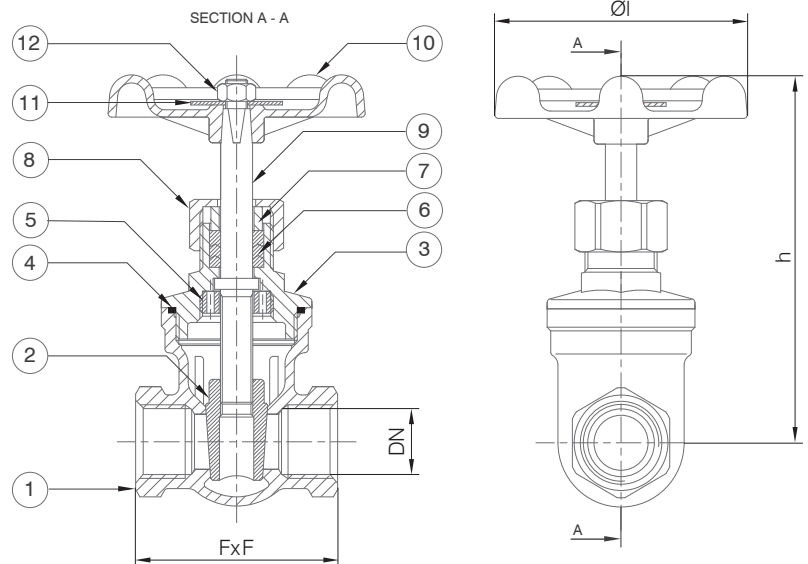
Size Range: DN15 - DN80 (1/2" - 3")

Pressure Rating at 20°C: 200PSI W.O.G.

- Features:
- Threaded BSP.
  - Quality Investment casting body.
  - Stainless steel class 200 inside screw & screwed bonnet.
  - Wedge disc integral seat, non-rising stem & handwheel.

## MATERIAL SPECIFICATIONS & PARTS LIST

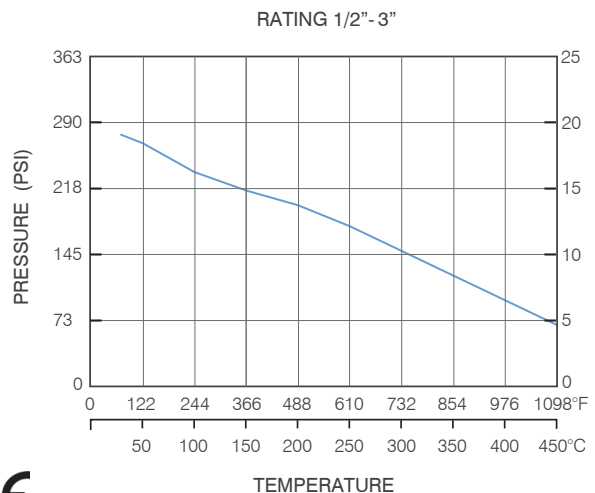
NO.	DESCRIPTION	MATERIAL
1	Body	CF8M
2	Disc	CF8M
3	Bonnet	CF8M
4	Gasket	PTFE
5	Bush	SS304
6	Packing	PTFE
7	Gland	SS304
8	Cap Nut	CF8M
9	Stem	SS316
10	Handle	Aluminium
11	Nameplate	Aluminium
12	Stem Nut	SS304



## DIMENSIONS (MM)

VTGA DN15 - DN80						
DN	NPS	FxF	h	ØI	CV Factor	Weight (Kg)
15	1/2"	55	100	70	17.6	0.41
20	3/4"	60	107	70	32	0.52
25	1"	65	110	80	54	0.64
32	1 1/4"	75	130	80	97	0.98
40	1 1/2"	85	147	90	135	1.42
50	2"	95	170	100	230	2.10
65	2 1/2"	116	213	140	337	5.23
80	3"	130	239	140	455	7.06

## PRESSURE RATINGS



FACTORY ACCREDITED:



FIRE SAFETY  
APPROVAL AP1607

6D-0645

No. WZ 1093  
HH 1

NUMBER  
0035

Designs, materials and specifications shown are subject to change without notice due to our continuing program of product development. VTGA\_V1\_20120816.

All content is protected by Copyright and is owned and/or licensed by AVFI Pty Ltd. Copyright © AVFI Pty Ltd.