

# V3WAY SERIES

3 WAY REDUCED BORE BSP LEVER OPERATED  
316 STAINLESS STEEL BALL VALVE  
NON-DIRECT MOUNTING PAD



## TECHNICAL DATA

Size Range:	DN8 - DN80 (1/4" - 3")
Pressure Rating:	1000PSI W.O.G
Pressure Test:	API598
Features:	<ul style="list-style-type: none"> <li>L or T Port</li> <li>Threaded BSP, NPT on request.</li> <li>Quality Investment casting body &amp; cap.</li> <li>Internal entry blow-out proof stem.</li> <li>Lever handle with locking device.</li> <li>Mount pad (2 1/2" &amp; 3" only).</li> </ul>

## MATERIAL SPECIFICATIONS & PARTS LIST

NO.	DESCRIPTION	MATERIAL	NO.	DESCRIPTION	MATERIAL
1	Body	CF8M	10	Spring Washer	SS304
2	Cap-B	CF8M	11	Stem Nut	SS304
3	Ball	CF8M	12	Locking Device	SS304
4	Seat	PTFE	13	Handle	SS304
5	Stem	SS316	14	Handle Sleeve	Plastic
6	Gasket-B	PTFE	15	Bolt	SS304
7	Thrust Washer	PTFE	16	Stop Pin	SS304
8	Packing	PTFE	17	Gasket-A	PTFE
9	Gland	SS304	18	Cap-A	CF8M

## DIMENSIONS (MM)

V3WAY DN8 - DN50												
DN	NPS	Ød	FxF	h1	h3	l1	w1	M3	Torque (N.m)	CV Factor		Weight (Kg)
									L Port	T Port		
8	1/4"	11.6	76	67	18	153	58.5	8	17	5	6	0.77
10	3/8"	12.5	76	67	18	153	58.5	8	17	5	6	0.72
15	1/2"	12.5	76	67	18	153	58.5	8	20	11	12	0.68
20	3/4"	16	86	77	20	153	72	8	25	14	16	1.13
25	1"	20	99	83	23	183	81.5	9.5	29	18	20	1.64
32	1 1/4"	25	117	88	23	183	94.5	9.5	35	43	46	2.22
40	1 1/2"	32	124	116	34	246	104	12	48	84	88	3.83
50	2"	38	148	124	34	246	125	12	61	90	98	5.84

DIMENSIONAL DRAWINGS (DN8-DN50)

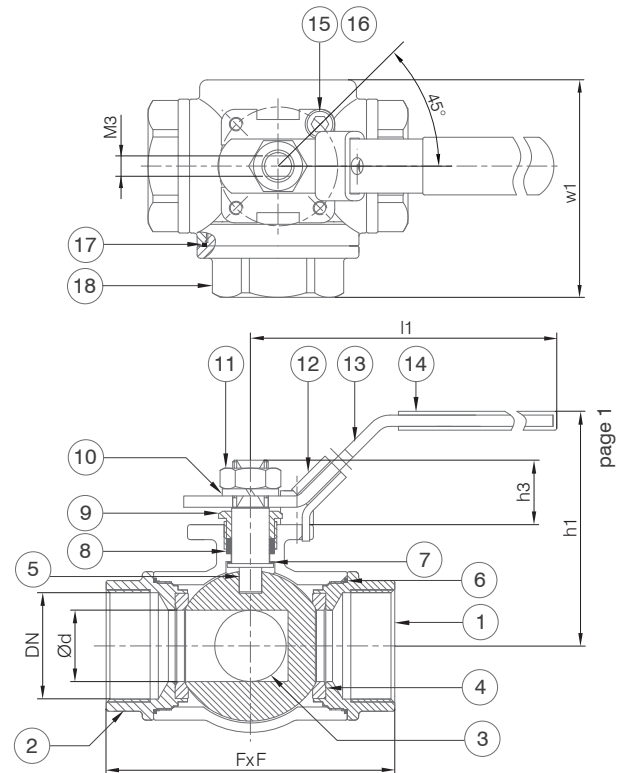


FIGURE 1. STOP PIN TYPE

DN8 - DN32 (1/4" - 1 1/4")



DN40 & DN50 (1 1/2" - 2")



FIGURE 2. FLOW PATTERN

OPTIONS	1	2	3	4
L PORT	1 ⊕ <sub>2</sub> 3	1 ⊕ <sub>2</sub> 3	1 ⊕ <sub>2</sub> 3	1 ⊕ <sub>2</sub> 3
T PORT	1 ⊕ <sub>2</sub> 3	1 ⊕ <sub>2</sub> 3	1 ⊕ <sub>2</sub> 3	1 ⊕ <sub>2</sub> 3

FACTORY ACCREDITED:



FIRE SAFETY  
APPROVAL AP1607

6D-0645

No. WZ 1093  
HH 1

NUMBER  
0035

Designs, materials and specifications shown are subject to change without notice due to our continuing program of product development. V3WAY\_V1\_20121105.

All content is protected by Copyright and is owned and/or licensed by AVFI Pty Ltd. Copyright © AVFI Pty Ltd.

# V3WAY SERIES

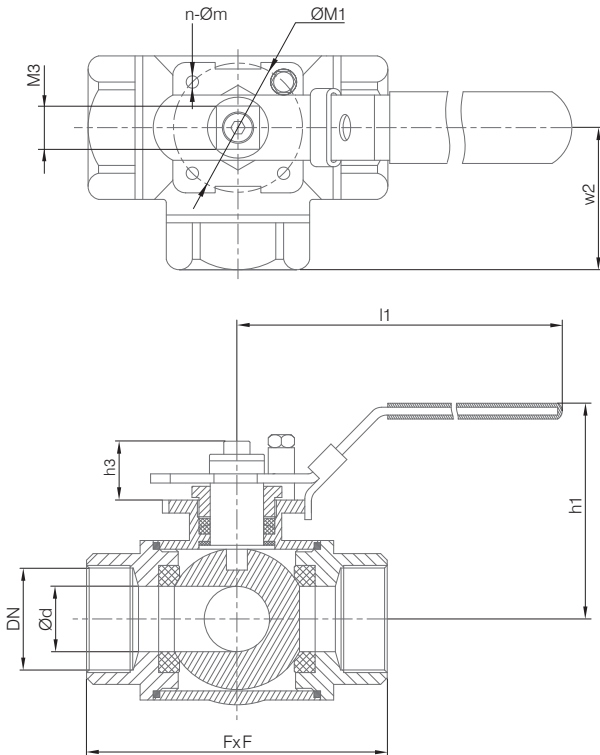
3 WAY REDUCED BORE BSP LEVER OPERATED  
316 STAINLESS STEEL BALL VALVE  
NON-DIRECT MOUNTING PAD



## DIMENSIONS (MM)

V3WAY DN65 - DN80								ISO 5211 TOP FLANGE					
DN	NPS	Ød	FxF	h1	h3	l1	w2	Flange No.	n-Øm	ØM1	M3	Torque (N.m)	Weight (Kg)
65	2 1/2"	50	170	115.8	24.5	229.9	85	F7	4-8	70	14	80	7.5
80	3"	65	195	132	25.5	265	97.5	F10	4-10	102	17	120	12

DIMENSIONAL DRAWINGS (DN65 & DN80)



## PRESSURE RATINGS

