

# V1 SERIES

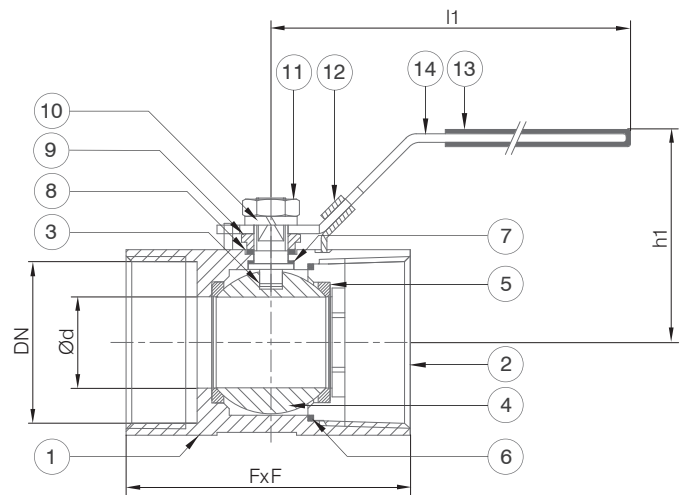
1 PIECE REDUCED BORE BSP LEVER OPERATED  
316 STAINLESS STEEL BALL VALVE

## TECHNICAL DATA

Size Range:	DN8 - DN50 (1/4" - 2")
Pressure Rating:	1000PSI W.O.G
Pressure Test:	API598
Features:	<ul style="list-style-type: none"> <li>• SS316 body, cap &amp; ball.</li> <li>• Reduced bore.</li> <li>• Threaded BSP.</li> <li>• Internal entry blow-out proof stem.</li> <li>• Lever handle with locking device.</li> </ul>

## MATERIAL SPECIFICATIONS & PARTS LIST

NO.	DESCRIPTION	MATERIAL	NO.	DESCRIPTION	MATERIAL
1	Body	CF8M	8	Stem Packing	PTFE
2	Cap	CF8M	9	Washer	SS304
3	Stem	SS316	10	Spring Washer	SS304
4	Ball	CF8M	11	Stem Nut	SS304
5	Seat	PTFE	12	Locking Device	SS304
6	Joint Gasket	PTFE	13	Handle	SS304
7	Thrust Washer	PTFE	14	Handle Sleeve	Plastic



## DIMENSIONS (MM)

V1 DN8 - DN50								
DN	NPS	FxF	Ød	h1	l1	CV Factor	Torque (N.m)	Weight (Kg)
8	1/4"	40	5	33	67	4	13.83	0.06
10	3/8"	45	7	36	67	4	67	0.10
15	1/2"	58	9	37	93	4.5	93	0.16
20	3/4"	60	12.5	42	93	9	20.75	0.26
25	1"	71	16	52	103	16	41.49	0.38
32	1 1/4"	78	20	56	103	24	62.24	0.61
40	1 1/2"	82.5	25	65	125	37	82.98	0.85
50	2"	100	32	90	125	68	96.81	1.40

FACTORY ACCREDITED:



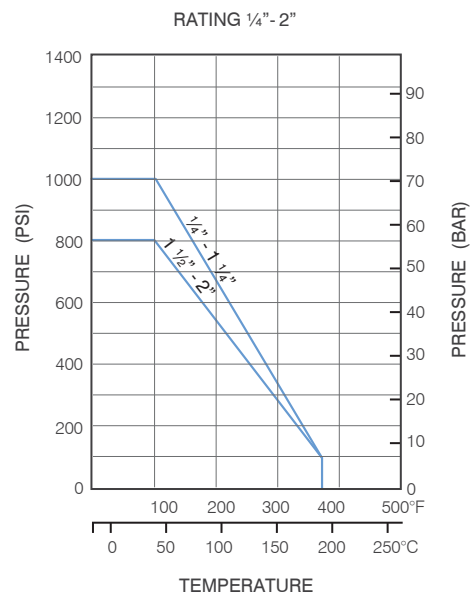
FIRE SAFETY  
APPROVAL AP1607

6D-0645

No. WZ 1093  
HH 1

NUMBER  
0035

## PRESSURE RATINGS



Designs, materials and specifications shown are subject to change without notice due to our continuing program of product development. V1\_V1\_20130722.

All content is protected by Copyright and is owned and/or licensed by AVFI Pty Ltd. Copyright© AVFI Pty Ltd.