

FACTORY ACCREDITED:



### TECHNICAL DATA

Size Range:	15mm - 25mm
Suitable for:	Fluids and air under 20 CST
Maximum Temperature:	80°C
Voltages available:	24VAC, 240VAC, 12VDC, 24VDC, 110VAC
Connections:	BSPF (standard) NPT (optional)

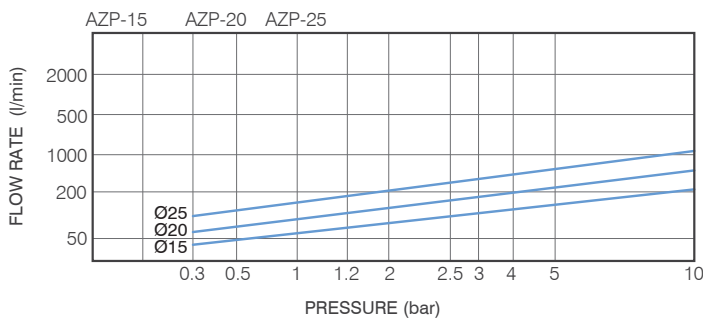
The AZP is a direct acting, normally closed solenoid valve that will work from zero (0) pressure and is available in Polyamide (nylon).

All models feature interchangeable coils and Viton diaphragm.

### FEATURES

- Non corrosive body materials.
- Viton diaphragm, others available on request.
- LED din plug available.
- All voltages interchangeable.

### PRESSURE LOSS CHART

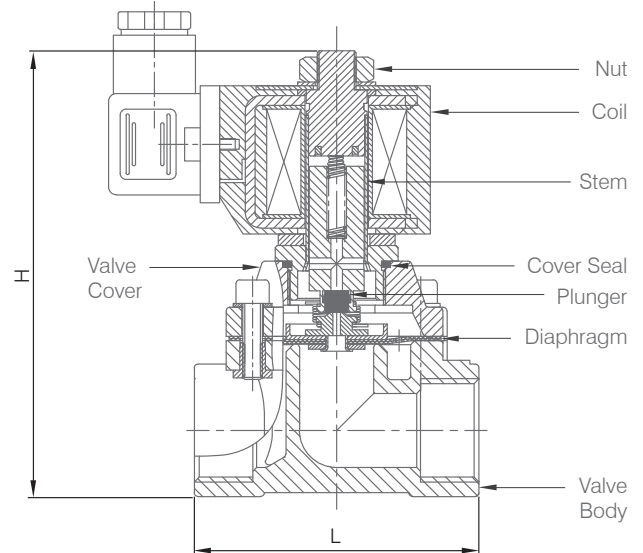


### SELECTION LIST

MODEL & SIZE (MM)	MINIMUM PRESSURE	OPERATING PRESSURE BAR (AIR)		OPERATING PRESSURE BAR (WATER)		OPERATING PRESSURE BAR (OIL)		POWER CONSUMPTION		COIL TYPE & CODE (D=DIN PLUG)			
		AC	DC	AC	DC	AC	DC	24/240VAC (VOLT AMPS)	12/24VDC (WATTS)	240VAC	24VAC	24VDC	12VDC
15 - 25	0	8	8	8	8	6	6	48/20	20	D01-41014	D01-4104	D01-4106	D01-4107



### PARTS LIST



### DIMENSIONS

MODEL	FUNCTION	BODY MATERIAL	SIZE (MM)	L x H (MM)	CV FACTOR
AZP	Normally Closed	Polyamide	15	69 x 107	4.8
			20	73 x 115	7.6
			25	99 x 121	12