

ARV-4N

AIR RELEASE VALVE FOR WASTEWATER SYSTEMS
& COAL SEAM GAS PIPELINES



✓ Australian designed & manufactured

FEATURES

- Designed for and tested in water and wastewater applications. Specifically designed to provide complete separation of floating material from sealing mechanism.
- Pressure rated to 1000kpa at ambient temperature.
- Streamline and compact package with main materials of 316 stainless steel and UV stabilised plastic, makes it totally non-corrosive.
- Designed to withstand constant exposure to methane and sulphur gases, making it perfect for gas pipeline applications.
- Triple action air release in the one unit; incorporates both automatic and kinetic air release and vacuum breaking functions.
- Protects waste water systems from suffering structural damage caused by hammer and vacuum situations.
- Servicing and maintenance costs are reduced due to the high performance, reliability and design of the ARV-4-N.
- Improves OH&S standards for your service personnel.

OPTIONS

- ARV-4-N is available in 15mm, 20mm, 25mm, 40mm & 50mm with inlet connections to suit:
 - Threaded: BSP or NPT.
 - Drilled: AS4087 CL16 or ANSI B16.1 150lb.

TECHNICAL DATA

Pressure Classes:	PN10 (standard), PN16 (on request)
Minimum Sealing:	0.1 bar
Temperature Range:	0°C to 80°C
Inlet Size (standard):	25mm
Inlet Size (optional):	15mm, 20mm, 40mm, or 50mm
Inlet Connection (standard):	BSP
Inlet Connection (optional):	NPT or Flanged (AS4087 or ANSI)
Upper Outlet Orifice:	20mm BSP
Weight:	2.9kg

Note: Image shown above with optional flange connection.

ARV-4N

AIR RELEASE VALVE FOR WASTEWATER SYSTEMS & COAL SEAM GAS PIPELINES



MATERIAL SPECIFICATIONS & PARTS LIST

NO.	DESCRIPTION	MATERIAL
1	Air Release Body	GRN
2	Main Seal	EPDM
3	Slide	Polyamide
4	Secondary Seal	EPDM
5	Top Float	Polypropylene
6	Dome Head CHS	SS316
7	Flat Washer	SS316
8	Top Flange	SS316
9	Top O-Ring	EPDM
10	Middle O-Ring	EPDM
11	Base O-Ring	EPDM
12	Dome Head Nut	SS316

NO.	DESCRIPTION	MATERIAL
13	Washer	SS316
14	Plug	UPVC
15	Washer	SS316
16	Base	GRN
17	Stem	SS316
18	Bottom Float	Polypropylene
19	Main Body	SS316
20	Nipple	SS316

AIR INFLOW & OUTFLOW

Table 1. Air Outflow Main Seal

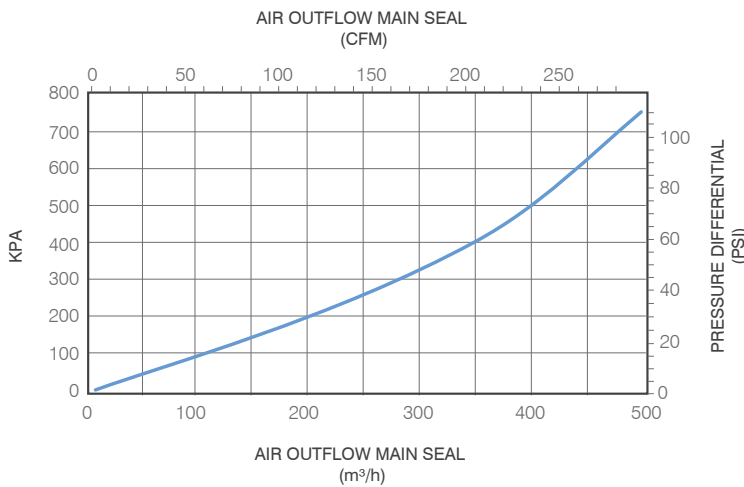
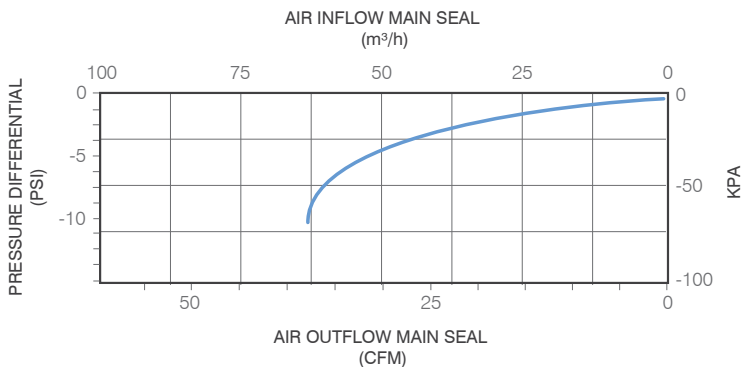


Table 2. Air Inflow Main Seal



DIMENSIONAL DRAWINGS

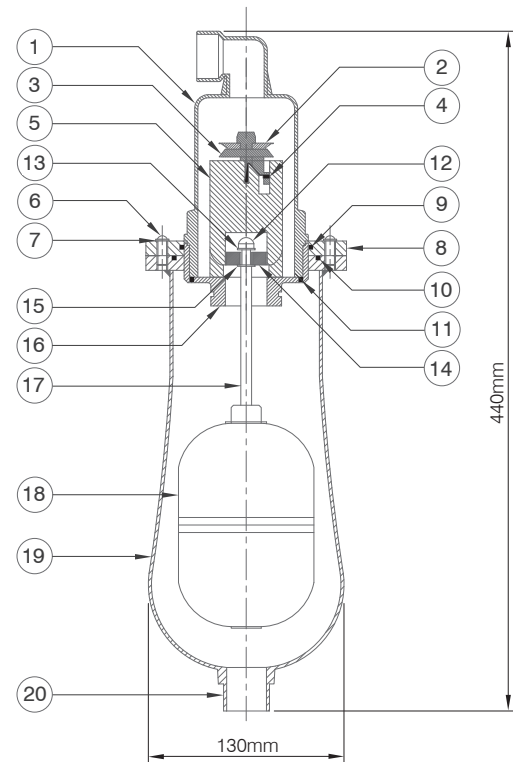
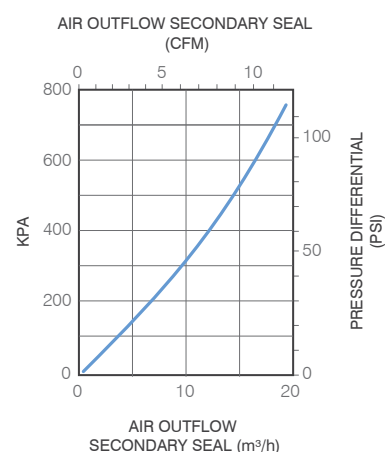


Table 3. Air Outflow Secondary Seal



Designs, materials and specifications shown are subject to change without notice due to our continuing program of product development. ARV-4N_V1_20130903.

All content is protected by Copyright and is owned and/or licensed by AVFI Pty Ltd. Copyright © AVFI Pty Ltd.