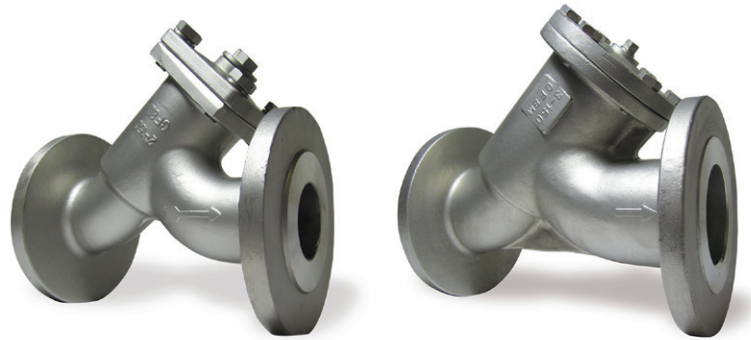


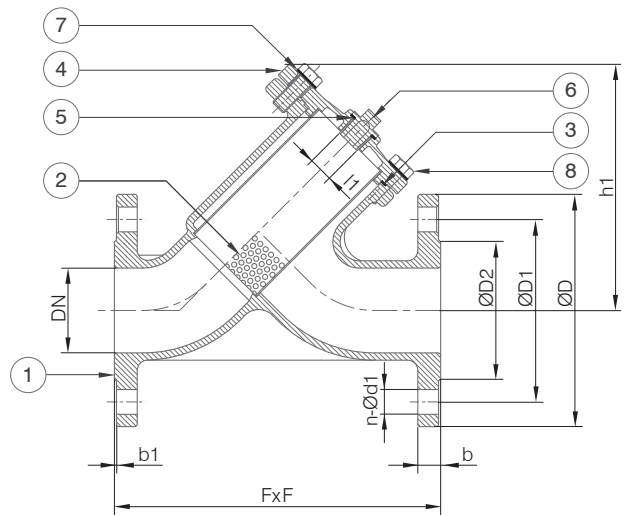
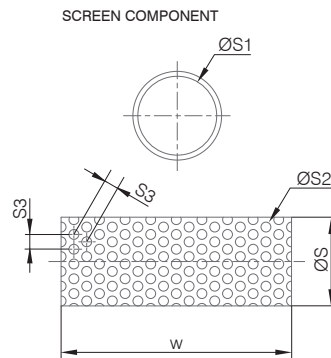
## TECHNICAL DATA

Size Range:	DN15 - DN300 (½" - 12")
Pressure Rating:	ANSI150
Pressure Test:	API598
Features:	<ul style="list-style-type: none"> <li>Flush Port</li> <li>Investment Casting</li> </ul>



## MATERIAL SPECIFICATIONS & PARTS LIST

NO.	DESCRIPTION	MATERIAL
1	Body	CF8M
2	Screen	SS304
3	Gasket	SS+Graphite
4	Bonnet	CF8M
5	Gasket	PTFE
6	Stopper	CF8M
7	Spring Washers	SS304
8	Bonnet Bolt	SS304



## DIMENSIONS (MM)

VT-TF-316-150 DN15 - DN300																	
DN	NPS	FxF	b	b1	ØD	ØD1	ØD2	n-Ød1	h1	l1	ØS	ØS1	ØS2	S3	W	CV Factor	Weight (Kg)
15	½"	120	12.1	1.6	89	60.5	35	4-16	85	½" BSP	18	16	1.5	2.5	60	5	2.04
20	¾"	140	12.1	1.6	98	70	43	4-16	87	½" BSP	23	21	1.5	2.5	55	9	2.3
25	1"	150	12.1	1.6	108	79.5	51	4-16	114	½" BSP	28	26	1.5	2.5	87.5	20	2.82
40	1 ½"	190	14.3	1.6	127	98.5	73	4-16	135	½" BSP	43	41	2	3	100	65	4.72
50	2"	210	15.9	1.6	152	120.5	92	4-19	155	½" BSP	53	51	2	3	103.5	80	7.26
65	2 ½"	250	17.5	1.6	178	139.5	105	4-19	189	½" BSP	68	66	2	3	135	100	10.85
80	3"	280	19.1	1.6	190	152.5	127	4-19	200	½" BSP	84	82	2	3	150	200	14.84
100	4"	340	23.9	1.6	229	190.5	157	8-19	232	¾" BSP	103	102	2	3	158.5	500	23.23
125	5"	380	23.9	1.6	254	216	186	8-22	274	¾" BSP	129	127	2	3	220	650	29.89
150	6"	420	25.4	1.6	279	241.5	216	8-22	326	¾" BSP	154	152	2	3	245	800	44.87
200	8"	500	28.6	1.6	343	298.5	270	8-22	397	¾" BSP	205	203	2	3	300	1500	71
250	10"	730	30.2	1.6	406	362	324	12-25	512	¾" BSP	260	258	2	3	498	1800	121.6
300	12"	850	31.8	1.6	483	432	381	12-25	562	¾" BSP	314	310	2	3	540	2100	165