

XDV-UDH

UNI-DIRECTIONAL
KNIFE GATE VALVES



XDV-UDH WITH HANDWHEEL



XDV-UDH WITH PNEUMATIC ACTUATOR

ACCORDING TO

- ✓ AS6401 & MSS SP-81

FEATURES

- Special L shaped replaceable seat.
- Roller bearings in SS housing on all all sizes.
- Fully lugged to suit AS4087 CL16.
- Stainless steel stem protection tube included.
- Gearbox included on DN450 and above.
- Stainless steel Safety guards included on all sizes
- Special adjustable gate guide ensures no leakage.
- Viton seat as standard.
- Temperature range up to 260°C (depending on seat).

OPTIONS

- Bi-directional version.
- WCB or Duplex body.
- Wafer type body.
- EPDM, NBR, PTFE or metal seat.
- Electric or pneumatic actuator.
- Non-rising stem.
- Limit switches.
- Chain wheel.
- Anti-clockwise close.
- Extensions.

TECHNICAL DATA

Size Range:	DN50 - DN1200
Pressure Class:	Max PN10 dependant on valve size
Face to face:	As per AS6401 & MSS SP-81
Maximum Temperature Rating:	200°C Viton (standard) 120°C EPDM (optional) 90°C NBR (optional) 200°C PTFE (optional) 200°C Metal (optional)
Lugged to suit:	AS4087, Class 16. (others on request)

FACTORY ACCREDITED:



XDV-UDH

UNI-DIRECTIONAL
KNIFE GATE VALVES

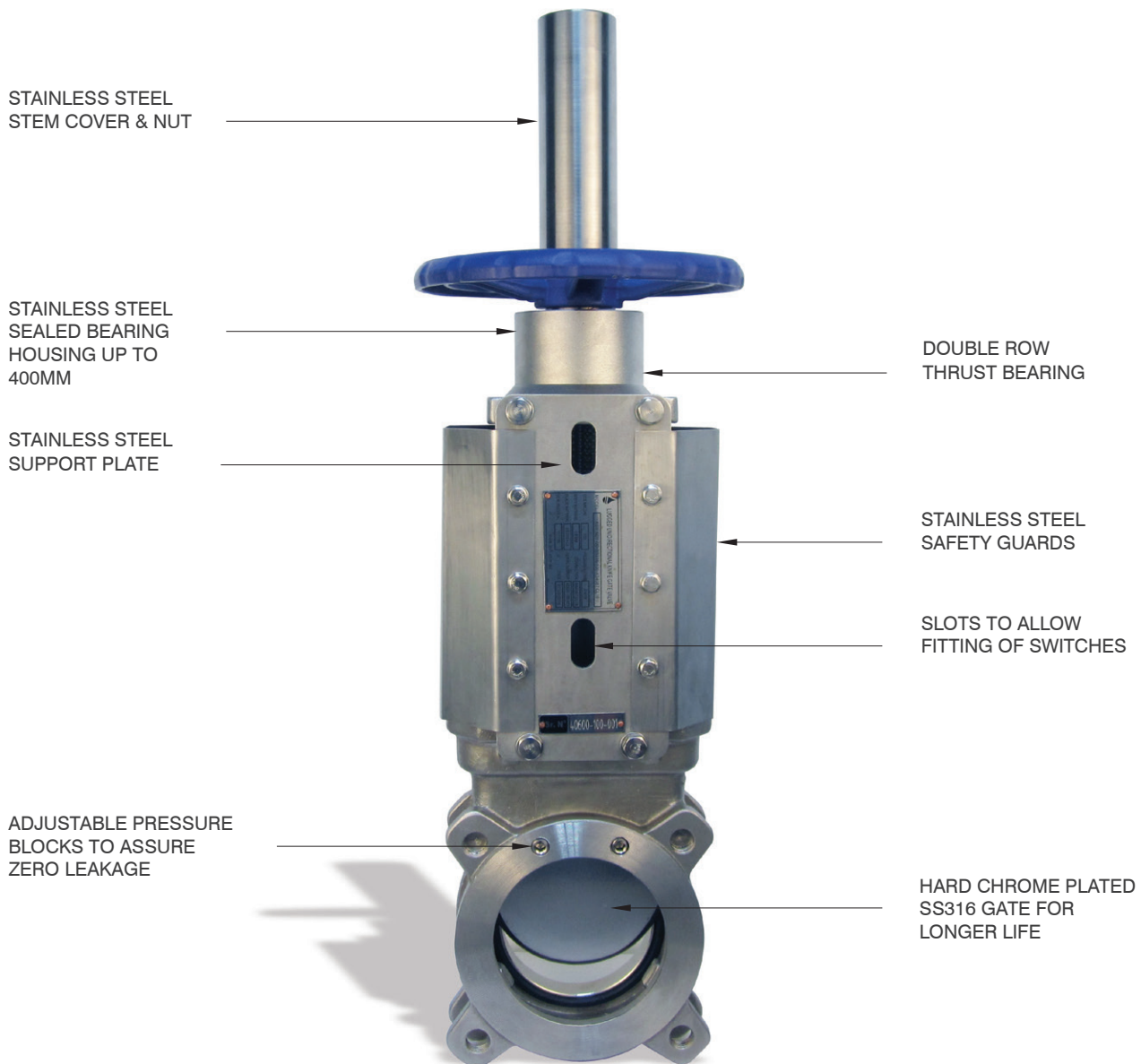


DESCRIPTION

The AVFI XDV-UHD Series is a robust uni-directional stainless steel knife gate valve suitable for a wide range of industries including water and waste water, mining, pulp and paper, and aquaculture applications.

The unique design incorporates adjustable gate pressure block, perfect for low pressure applications. Double row thrust bearings for smooth operation, and a hardened chrome plated 316 stainless steel gate with viton seat provides the AVFI XDV-UHD Series the strength and diversity to handle a multitude of applications.

Standard on all the AVFI XDV-UHD Series knife gate valves are the stainless steel safety guards providing a physical barrier between the moving parts of the valves and the operator, and standard is the stainless steel stem cover.



page 2

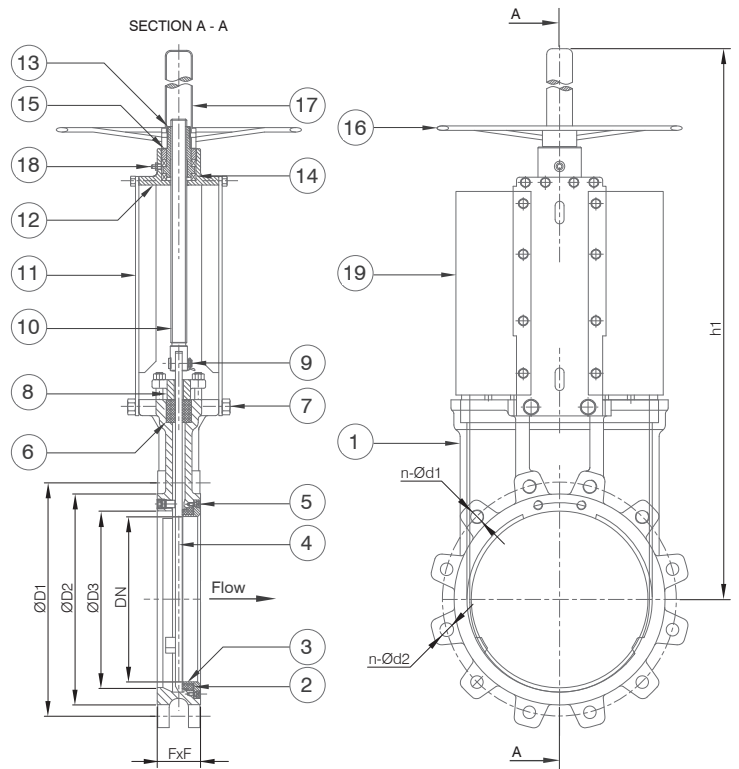
MATERIAL SPECIFICATIONS & PARTS LIST

NO.	DESCRIPTION	MATERIAL
1	Body	CF8M
2	Seat	Viton
3	Seat Retainer	SS316
4	Gate	SS316 +Cr
5	Bolt	A4-70
6	Packing	PTFE+SI
7	Bolt	A4-70
8	Gland Follower	CF8M
9	Pin	SS304
10	Stem	SS304
11	Support Plates	SS304
12	Bearing Housing	SS304
12a	Bearing Housing	Epoxy Coated WCB
13	Stem Nut	SS304
14	Bearing	SS440
15	Bearing Cover	SS304
16	Handwheel	Epoxy Coated Iron
17	Stem Cover	SS304
18	Grease Fitting	C95200
19	Safety Guards	SS304
20	Bevel Gear	

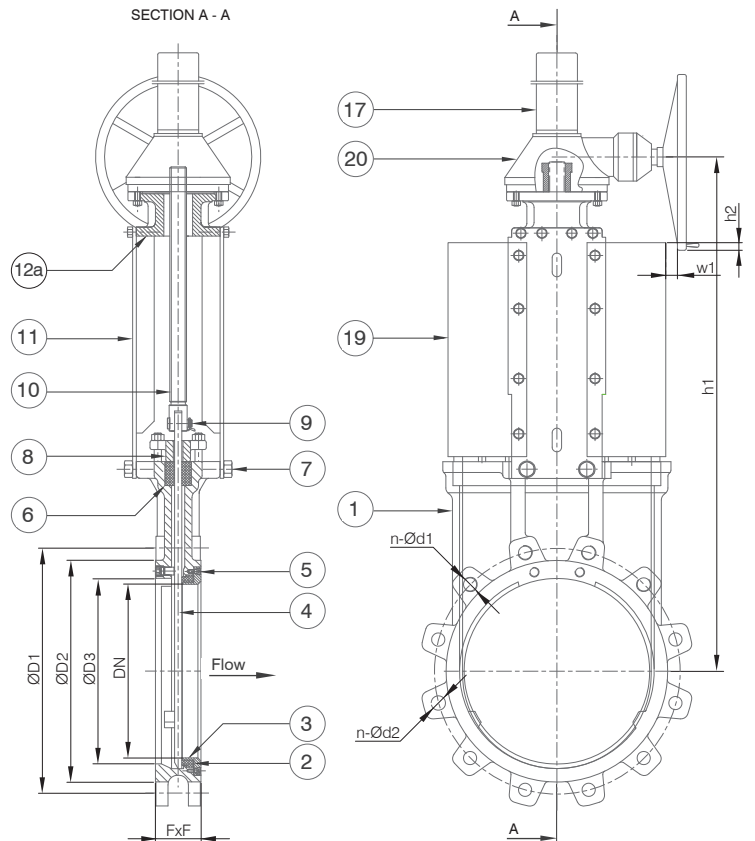
DIMENSIONS (MM)

XDV-UDH DN50-DN1200										
DN	FxF	h1	ØD1	ØD2	ØD3	n-Ød1	n-Ød2	h2	w1	Weight (Kg)
50	48	302	114	90	60	2-M16	2-M16	—	—	9
65	48	345	127	103	75	2-M16	2-M16	—	—	11
80	51	365	146	122	90	2-M16	2-M16	—	—	12
100	51	410	178	154	105	2-M16	2-M16	—	—	16
125	57	460	210	186	130	2-M16	6-M16	—	—	20
150	57	505	235	211	158	2-M16	6-M16	—	—	25
200	70	615	292	266	210	2-M16	6-M16	—	—	43
250	70	740	356	324	260	2-M20	6-M20	—	—	62
300	76	840	406	378	310	4-M20	8-M20	—	—	78
350	76	970	470	429	360	4-M24	8-M24	—	—	112
375	76	1020	495	463	385	4-M24	8-M24	—	—	145
400	89	1060	521	489	415	4-M24	8-M24	—	—	154
450	89	1265	584	532	465	4-M24	8-M24	30	35	238
500	114	1375	641	609	515	6-M24	10-M24	15	85	265
600	114	1570	756	720	615	6-M27	10-M27	15	50	300
700	114	1710	845	809	710	8-M27	12-M27	15	50	510
750	114	1820	927	888	725	8-M30	12-M30	15	50	580
800	114	1950	984	942	790	8-M33	12-M33	15	50	640
900	114	2100	1092	1050	860	10-M33	14-M33	15	50	850
1000	114	2300	1175	1133	980	10-M33	14-M33	15	50	1100
1200	114	2650	1410	1368	1180	14-M33	18-M33	15	50	1680

DIMENSIONAL DRAWINGS
XDV-UDH WITH HANDWHEEL
DN50-DN400



XDV-UDH WITH GEARBOX
DN450-DN1200



XDV-UDH

UNI-DIRECTIONAL
KNIFE GATE VALVES



DIMENSIONAL DRAWINGS XDV-UDH WITH PNEUMATIC ACTUATOR DN50-DN1200

MATERIAL SPECIFICATIONS & PARTS LIST

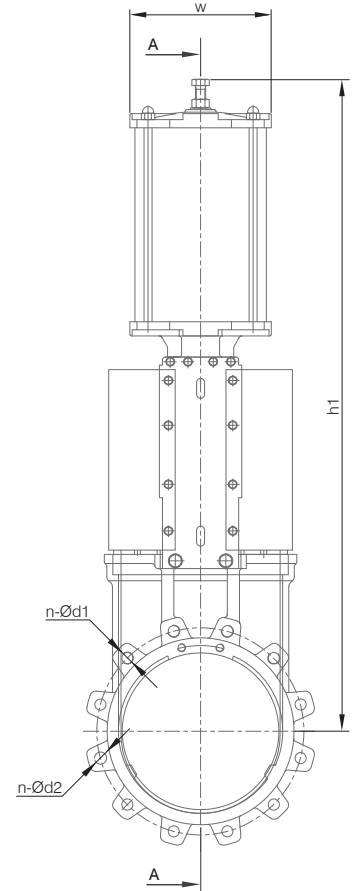
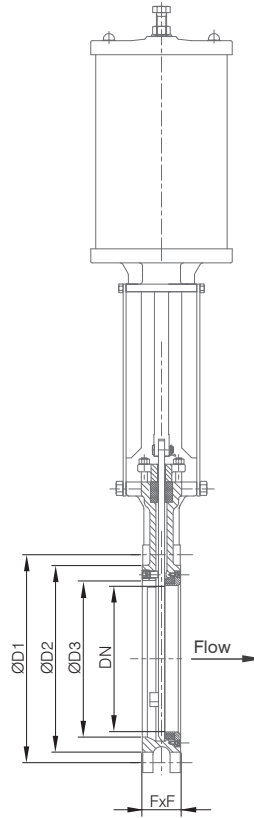
NO.	DESCRIPTION	MATERIAL	300MM & ABOVE
1	Bottom Cover	Epoxy Coated Steel	Epoxy Coated Steel
2	Piston Rod	Cr Plated Steel	Cr Plated Steel
3	O-Ring	NBR	NBR
4	O-Ring	NBR	NBR
5	Wear Ring	PTFE + Cu	PTFE + Cu
6	Piston	Aluminium Alloy	Cr Plated WCB
7	O-Ring	NBR	NBR
8	Bolt	A2-70	A2-70
9	Cylinder Tube	Aluminium Alloy	Cr Plated WCB
10	O-Ring	NBR	NBR
11	Top Cover	Epoxy Coated Steel	Epoxy Coated Steel
12	Stroke Adjuster	A2-70	A2-70
13	Tie Rod	A2-70	A2-70
14	Bolt	A2-70	A2-70
15	Scraper Seal	PTFE	PTFE
16	Seal Retainer	SS304	SS304
17	O-Ring	NBR	NBR
18	Shaft Bearing	Brass	Brass
19	Shaft Seal	Polyurethane	Polyurethane
20	O-Ring	NBR	NBR

DIMENSIONS (MM)

XDV-UDH WITH PNEUMATIC ACTUATOR					
DN (mm)	h1	w	Cylinder Bore (mm)	Stroke (mm)	Cylinder Weight (Kg)
50	457	100	80	60	6.3
65	505	100	80	75	6.3
80	545	120	100	90	6.3
100	615	120	100	110	6.3
125	680	150	125	135	9.2
150	760	150	125	160	9.2
200	950	195	160	210	26
250	1135	240	200	260	39
300	1320	280	230	310	60
350	1510	280	250	360	98
375	1610	395	280	410	103
400	1650	395	280	410	103
450	1850	395	300	460	126
500	2010	423	320	510	136
600	2300	423	320	610	146

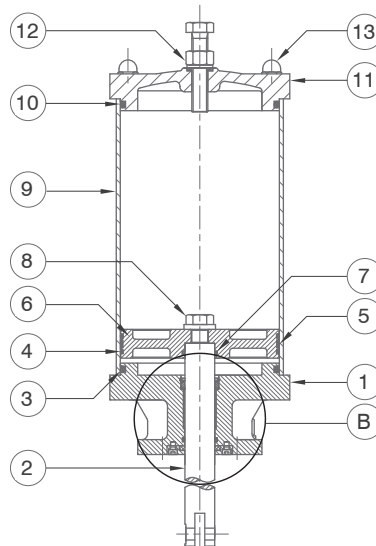
Larger sizes available on request

SECTION A - A

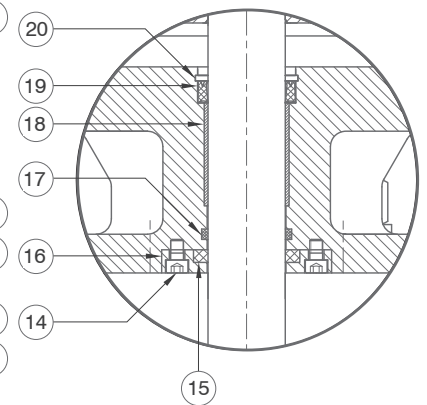


PNEUMATIC ACTUATOR

SECTION A - A



DETAILED VIEW B



Designs, materials and specifications shown are subject to change without notice due to our continuing program of product development. XDV-UDH_V1_20151027.

All content is protected by Copyright and is owned and/or licensed by AVFI Pty Ltd. Copyright© AVFI Pty Ltd.