



XDV-UD-DI-SL WITH HANDWHEEL



XDV-UD-DI-SL WITH PNEUMATIC ACTUATOR

ACCORDING TO

- ✓ AS6401 & MSS SP-81

FEATURES

- Replaceable seat.
- Special L - shaped retained seat.
- SS316 stem.
- Position indicator, stem protection & tube included.
- Gearboxes included on DN450 and above.
- Safety guards included on actuated version.
- Viton seat as standard.
- 100% drip tight sealing.
- Temperature range up to 260°C (depending on seat).

OPTIONS

- Bi-directional version.
- Fully lugged version.
- SS304, SS316 or Duplex body.
- EPDM, NBR, Silicone or metal seat.
- Electric or pneumatic actuator.
- Non-rising stem.
- Limit switches.
- Chain wheel.
- Clockwise & anti-clockwise close.

TECHNICAL DATA

Size Range:	DN50 - DN1500
Pressure Classes:	PN10
Face to face:	As per AS6401 & MSS SP-81
Maximum Temperature Rating:	80°C NBR (standard) 110°C EPDM (optional) 170°C Viton (optional) 170°C Silicone (optional) Up to 350°C Metal (optional)
Drilling to:	AS4087, Class 16. (others on request)

FACTORY ACCREDITED:



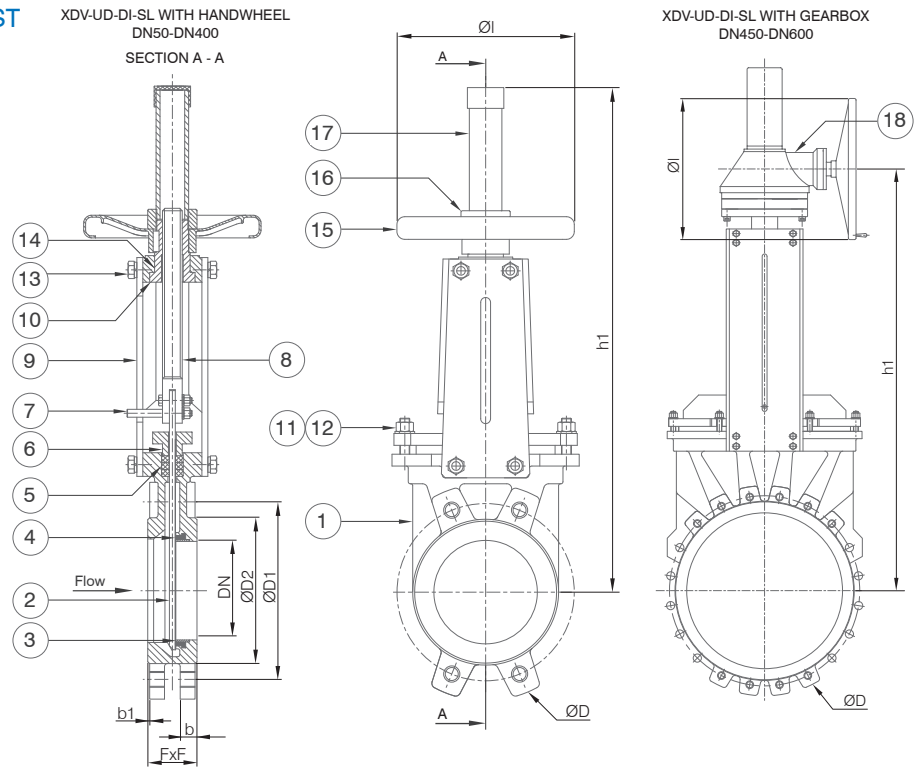
XDV-UD-DI-SL

UNI-DIRECTIONAL
KNIFE GATE VALVES



MATERIAL SPECIFICATIONS & PARTS LIST

NO.	DESCRIPTION	MATERIAL
1	Body	Ductile Iron (epoxy coated)
2	Gate	SS316
3	Retaining Ring	SS316
4	Sealing Ring	Viton
5	Packing	PTFE + Silicone
6	Packing Gland	Ductile Iron (epoxy coated)
7	Indicator	SS420
8	Stem	SS316
9	Support Plates	Carbon Steel (epoxy coated)
10	Steel Block	Carbon Steel (epoxy coated)
11	Bolt	SS316
12	Nut	SS316
13	Bolt	SS316
14	Stem Nut	Bronze
15	Handwheel	Carbon Steel (epoxy coated)
16	Handwheel Cap	ASTM A36
17	Protector	ASTM A36
18	Bevel gearbox	Proprietary

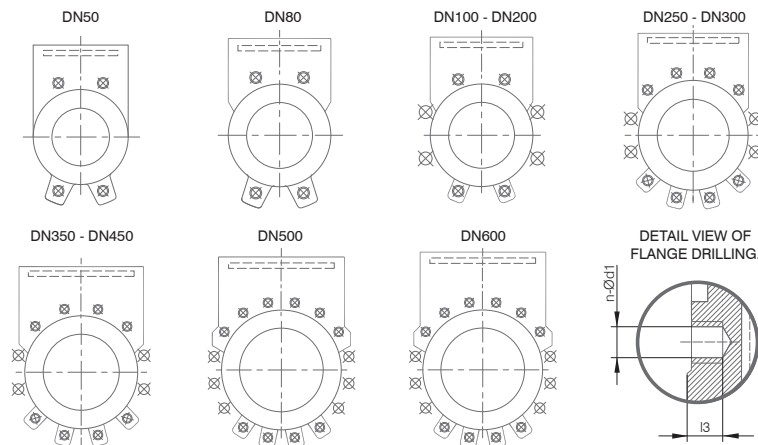


DIMENSIONS (MM)

XDV-UD DN50-DN600									AS4087 CL16			
DN	FxF	b	b1	h1	ØI	ØD	ØD1	ØD2	No. of threaded holes on valve body (n-Ød1)	No. of thru bolts	I3	Drilling
50	48	16	2	375	180	152	114	90	4 - M16	—	8	Table D
80	51	17	2	450	200	190	146	122	4 - M16	—	10	Table D
100	51	17	2	512	200	229	178	154	4 - M16	4	10	Table E
150	57	19	2	665	250	280	235	211	4 - M16	4	12	Table D
200	70	19	2	825	300	343	292	268	4 - M16	4	14	Table D
250	70	23	2	1000	320	406	356	324	8 - M20	4	15	Table E
300	76	23	2	1155	350	483	406	378	8 - M20	4	15	Table D
350	76	25	2	1310	450	533	470	413	8 - M24	4	16	Table D
400	89	29	2	1475	500	580	521	489	8 - M24	4	16	Table D
450	89	29	2	1170	310	640	584	532	8 - M24	4	18	Table D
500	114	37	2	1280	460	705	641	609	10 - M24	6	20	Table D
600	114	37	2	1485	460	825	756	720	10 - M27	6	25	Table D

Note: Other sizes available on request.

BOLTING ARRANGEMENTS



Designs, materials and specifications shown are subject to change without notice due to our continuing program of product development. XDV-UD_V1_20131024.

All content is protected by Copyright and is owned and/or licensed by AVFI Pty Ltd. Copyright © AVFI Pty Ltd.