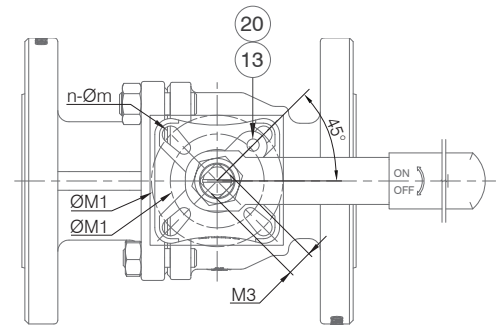
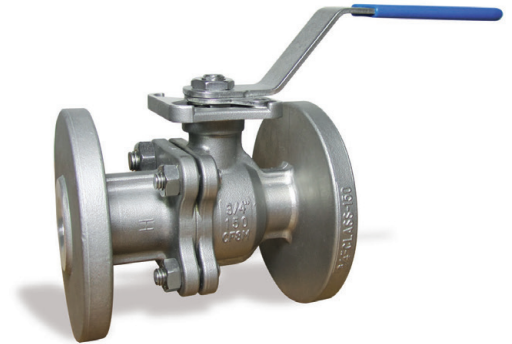


V2FH-316-150 SERIES

CLASS 150, 2 PIECE DIRECT MOUNT
316 STAINLESS STEEL FLANGED BALL VALVE
DN15 - DN50

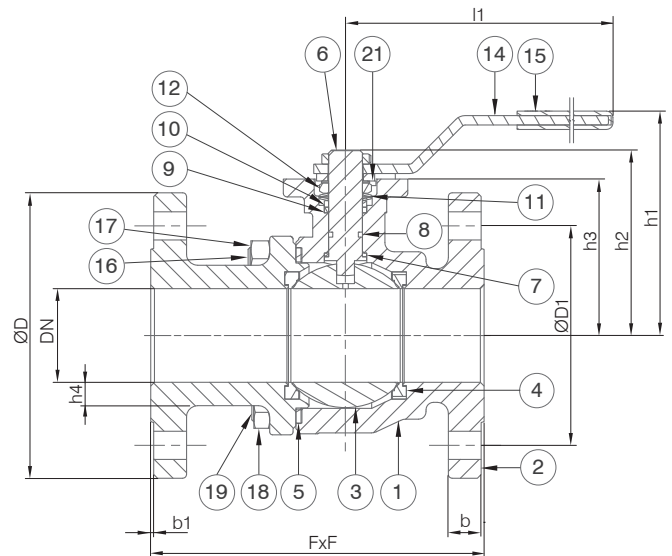
TECHNICAL DATA

Size Range:	DN15 - DN50 (½" - 2")
Pressure Rating:	ANSI-150
Pressure Test:	AP1598
Flange Connection:	<ul style="list-style-type: none"> AS4087 CL16 AS2129 T/E ANSI-150
Features:	<ul style="list-style-type: none"> SS316 body, cap & ball. Full bore. Solid ball. Internal entry blow-out proof stem. Lever operated. Direct mounting pad ISO 5211. Anti-static device, fire-safe design. Flange pattern as required. Fire-safe approved on request. VEE port available on request.



MATERIAL SPECIFICATIONS & PARTS LIST

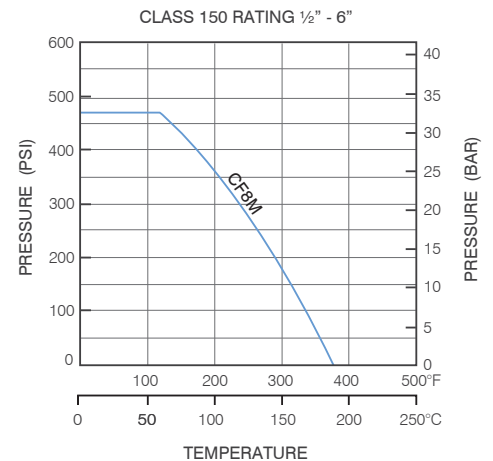
NO.	DESCRIPTION	MATERIAL	NO.	DESCRIPTION	MATERIAL
1	Body	CF8M	12	Stem Nut	SS304
2	End Cap	CF8M	13	Stopper	SS304
3	Ball	CF8M	14	Handle	SS304
4	Seat	PTFE	15	Plastic Sleeve	Plastic
5	Joint Gasket	PTFE	16	Nut	SS304
6	Stem	SS316	17	Stud Bolt	SS304
7	Thrust Washer	PTFE	18	Nut	SS304
8	O-Ring	Viton	19	Stud Bolt	SS304
9	Stem Packing	PTFE	20	Stopper Pin	SS304
10	Stem Ring	SS304	21	Lock Washer	SS304
11	Belleville Washer	SS304			



DIMENSIONS (MM)

V2FH-316-150 DN15 - DN50																
DN	NPS	Fx F	b	b1	ØD	ØD1	h1	h2	h3	h4	l1	ØM1	n-Øm	M3	Torque (N.m)	Weight (Kg)
15	½"	108	9.6	1.6	89	60.5	89	56	47	2.8	110	42	4-6	9	5	1.6
20	¾"	117	11.2	1.6	96	70	94	61	52	3	110	42/50	4-6/7	9	8	2.3
25	1"	127	12.7	1.6	108	79.5	95	67	58	4.1	136	42/50	4-6/7	11	11	3.2
40	1 ½"	165	15.9	1.6	127	98.5	110.7	92	77	6	203	50/70	4-7/9	14	21	6.3
50	2"	178	17.5	1.6	152.4	120.5	117.7	99	84	6.5	203	50/70	4-7/9	14	31	9.3

PRESSURE RATINGS



FACTORY ACCREDITED:



FIRE SAFETY
APPROVAL AP1607



6D-0645



No. WZ 1093
HH 1



NUMBER
0035

Designs, materials and specifications shown are subject to change without notice due to our continuing program of product development. V2FH-316-150-DN15-DN50_V1_20130618.

All content is protected by Copyright and is owned and/or licensed by AVFI Pty Ltd. Copyright © AVFI Pty Ltd.

AVFI Pty Ltd: 54 Enterprise Drive, Bundoora, Victoria, Australia 3083
T: 03 8467 0000 F: 03 8467 0099 E: avfi@avfi.com.au www.avfi.com.au