

### TECHNICAL DATA

Size Range:	DN50 - DN600
Pressure Class	PN16
Face to face:	AS2638.1 & ANSI B16.10
Flange Drilling:	AS4087CL16 (ANSI B16.10) AS2129 Table E/D also available.
Hydraulic Test to AS2638.1:	
Seat Test Pressure:	18bar
Body Test Pressure:	24bar

### FEATURES

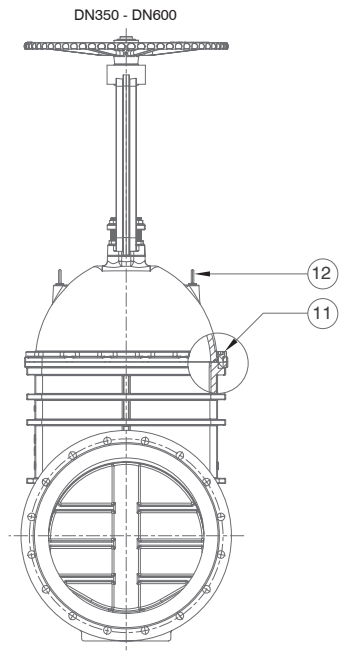
- Solid wedge
- Back seating design
- Outside screw and yoke
- Seat rings are pressed into wedge and body
- Fusion bonded epoxy coated

### OPTIONS

- Gearbox
- By-pass valve
- Clockwise or anti-clockwise

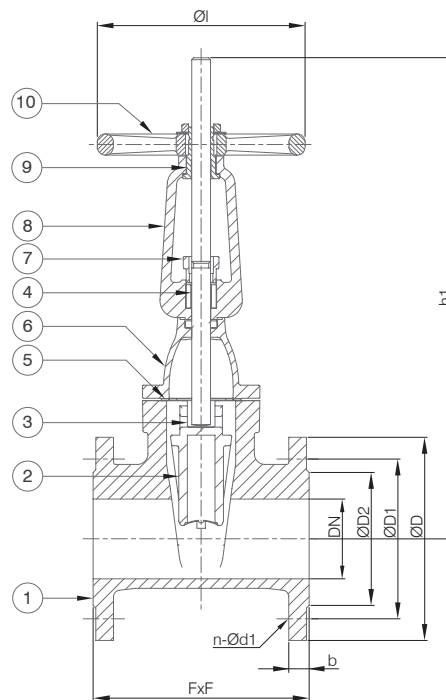
### MATERIAL SPECIFICATION & PARTS LIST

NO.	DESCRIPTION	MATERIAL
1	Body	Ductile Iron (GGG50)
2	Wedge	Ductile Iron + EPDM
3	Wedge Nut	Bronze (C83600)
4	Stem	SS316
5	Bonnet Gasket	EPDM
6	Bonnet	Ductile Iron (GGG50)
7	Gland	Ductile Iron (GGG50)
8	Yoke	Ductile Iron (GGG50)
9	Stem Bush	Bronze (C83600)
10	Handwheel	Ductile Iron (GGG50)
11	Bolt	SS316
12	Eye Bolt	SS316
13	O-Ring	EPDM
14	Washer	Nylon
15	V-Ring	EPDM
16	Bolt	SS316
17	Washer	SS316
18	Nut	SS316
19	Bushing	Graphite
20	Stud	SS316
21	Washer	SS316
22	Nut	SS316
23	Lock Nut	SS316
24	Roller Bearing	Stainless Steel
25	Lock Nut	SS316
26	Key	SS316



### DIMENSIONAL DRAWINGS

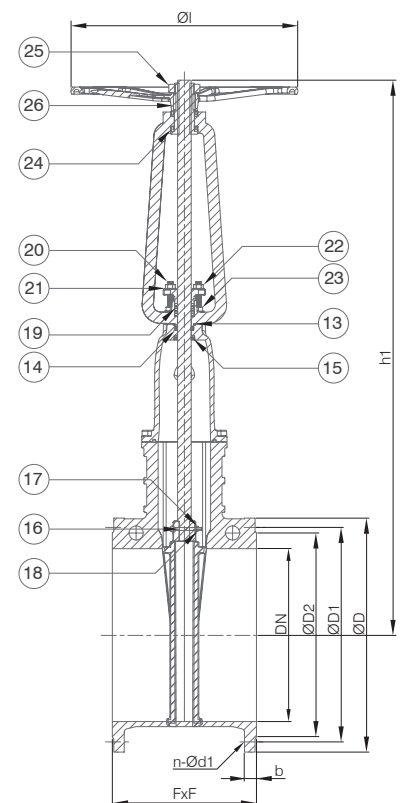
DN50 - DN300



### DIMENSIONS (MM)

MSGV-RS DN50 - DN300								
DN	FxF	b	ØI	h1	ØD	ØD1	ØD2	n-Ød1
50	178	19	180	385	165	114	99	4-18
65	190	19	180	415	185	127	118	4-18
80	203	19	200	518	200	146	132	4-18
100	229	19	200	570	220	178	156	4-18
125	254	19	250	745	250	210	184	8-18
150	267	19	280	790	285	235	211	8-18
200	292	20	320	990	340	292	266	8-18
250	330	22	350	1175	405	356	319	8-22
300	356	24.5	380	1390	460	406	370	12-22

DN350 - DN600



MSGV-RS DN350 - DN600								
DN	FxF	b	ØI	h1	ØD	ØD1	ØD2	n-Ød1
350	381	33	500	1273	525	470	438	12-26
400	406	33	560	1423	580	521	489	12-26
450	432	33	640	1575	640	584	532	12-26
500	457	35	720	1672	705	641	609	16-26
600	508	42	800	1956	825	756	720	16-30

### FACTORY ACCREDITED:



Designs, materials and specifications shown are subject to change without notice due to our continuing program of product development. RSGV-RS Series\_V1\_20130916.

All content is protected by Copyright and is owned and/or licensed by AVFI Pty Ltd. Copyright© AVFI Pty Ltd.