

FACTORY ACCREDITED:



TECHNICAL DATA

Size Range:	10mm - 50mm
Suitable for:	Water, air and oil under 20 CST
Maximum Temperature:	120°C
Voltages available:	24VAC, 240VAC, 12VDC, 24VDC, 110VAC
Connections:	BSPF (standard) NPT or flanged (optional)

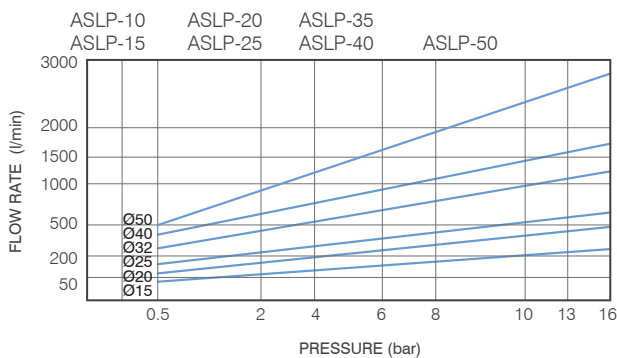
The ASLP range is a pilot operated solenoid valve that will work from 0.5 bar pressure and is available in brass or stainless steel. Models include ASLP which is normally closed (energise to open) or ASLPH normally open (energise to close).

All models feature investment cast body, interchangeable coils and Viton diaphragm.

FEATURES

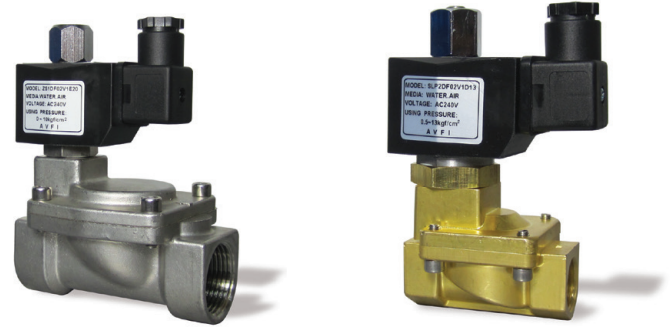
- Normally closed & normally open models.
- Brass or stainless steel body materials.
- Viton diaphragm, others available on request.
- LED din plug available.
- All voltages interchangeable.

PRESSURE LOSS CHART



SELECTION LIST

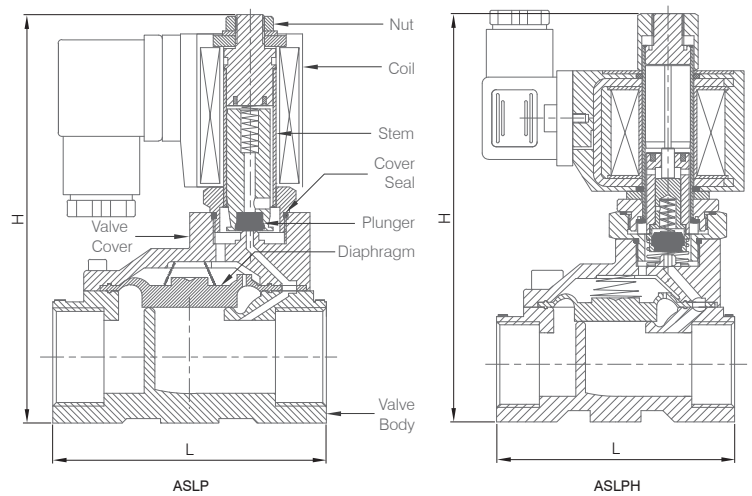
MODEL & SIZE (MM)	MINIMUM PRESSURE	OPERATING PRESSURE BAR (AIR)		OPERATING PRESSURE BAR (WATER)		OPERATING PRESSURE BAR (OIL)		POWER CONSUMPTION		COIL TYPE & CODE (D=DIN PLUG)			
		AC	DC	AC	DC	AC	DC	24/240VAC (VOLT AMPS)	12/24VDC (WATTS)	240VAC	24VAC	24VDC	12VDC
ASLP & ASLP-316 10 - 50	0.5	16	16	16	16	13	13	22	13	D04-31014	D04-3104	D04-3106	D04-3107
ASLPH & ASLPH-316 10 - 50	0.5	13	13	13	13	8	8	48/20	28.5/20	D01-41014	D01-4104	D01-4106	D03-5107



ASLP-316

ASLPH

PARTS LIST



DIMENSIONS

MODEL	FUNCTION	BODY MATERIAL		SIZE (MM)	L x H (MM)	CV FACTOR
ASLP & ASLP-316	Normally Closed	ASLP (Brass)	ASLP-316 (SS316)	10	67 x 107	4.5
				15	67 x 107	4.5
				20	75 x 112	7.6
				25	96 x 126	12
				32	131 x 145	22
				40	131 x 145	30
ASLPH & ASLPH-316	Normally Open	ASLPH (Brass)	ASLPH-316 (SS316)	10	66 x 124	4.5
				15	66 x 124	4.5
				20	75 x 130	7.6
				25	96 x 143	12
				32	131 x 162	22
				40	131 x 162	30
50	165 x 174	48				