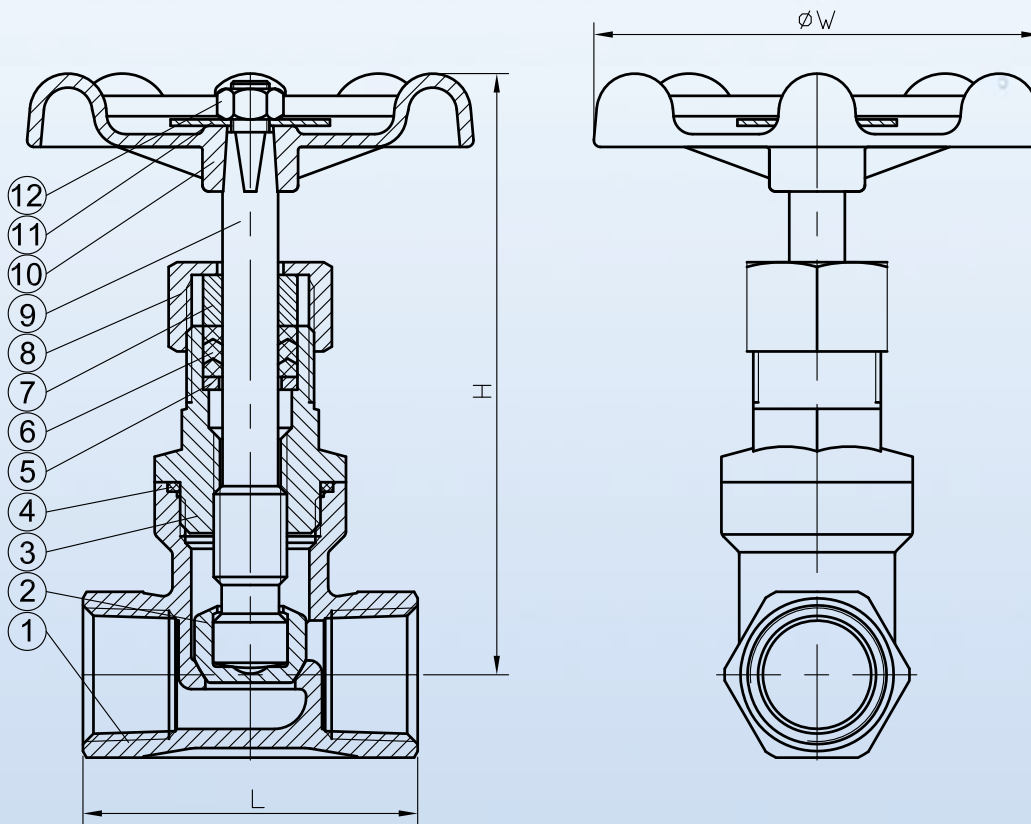


VTGL-316-PP SERIES 316 STAINLESS STEEL 200 PSI BSP GLOBE VALVE

Type: VTGL-316-PP series
 Size: 1/4" to 2"
 Pressure (@20°C): 200PSI (1/4" to 2")
 Features: 316 stainless steel body & bonnet
 Threaded BSP
 Quality investment casting body and cap
 Stainless steel class 200 inside screw and screwed bonnet,
 swivel disc integral seat, rising stem and handwheel



ITEM	PART NAME	MATERIAL
1	BODY	CF8M
2	DISC	CF8M
3	BONNET	CF8M
4	GASKET	PTFE
5	GASKET	SUS304
6	PACKING	PTFE
7	GLAIND	SUS304
8	CAP NUT	CF8M
9	STEM	SUS316
10	HANDLE	ALUMINNUM
11	NAMEPLATE	ALUMINNUM
12	STEM NUT	SUS304

SIZE	DN	1/4"	3/8"	1/2"	3/4"	1"	1 1/4"	1 1/2"	2"
	NPS	6	10	15	20	25	32	40	50
L		52	52	52	66	76	86	94	118
H(CLOSED)		94.5	94.5	94.5	100	109.5	129.5	129.5	138.5
H(OPENED)		106	106	106	114	127	150	154	169.5
W		70	70	70	80	80	90	100	100
Cv		2	3	4	7	11	21	30	50