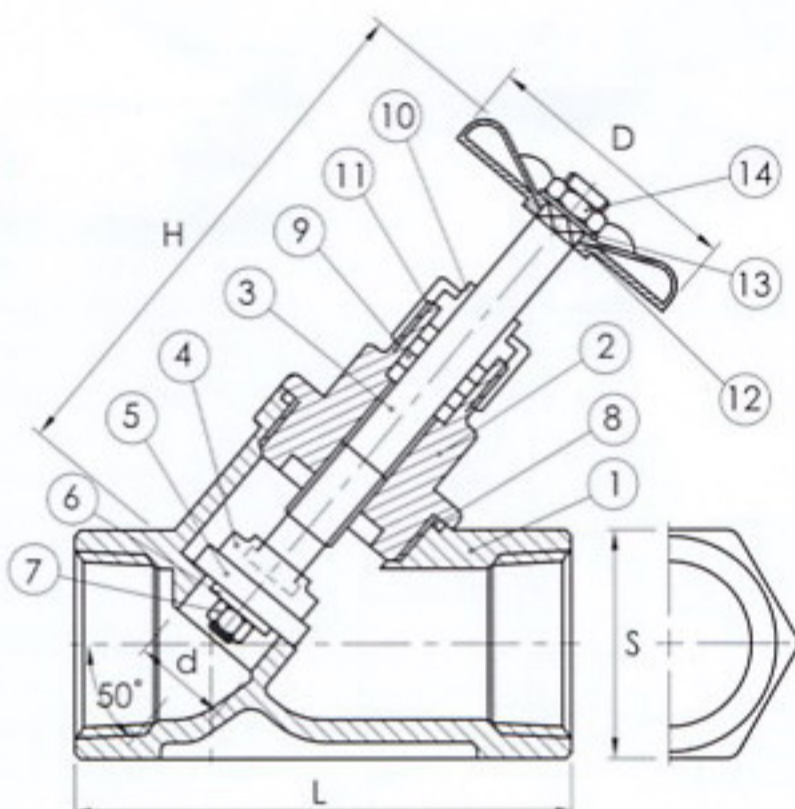


VT-S SHUT-OFF VALVE SCREWED END

SIZE: 1/4"~2"



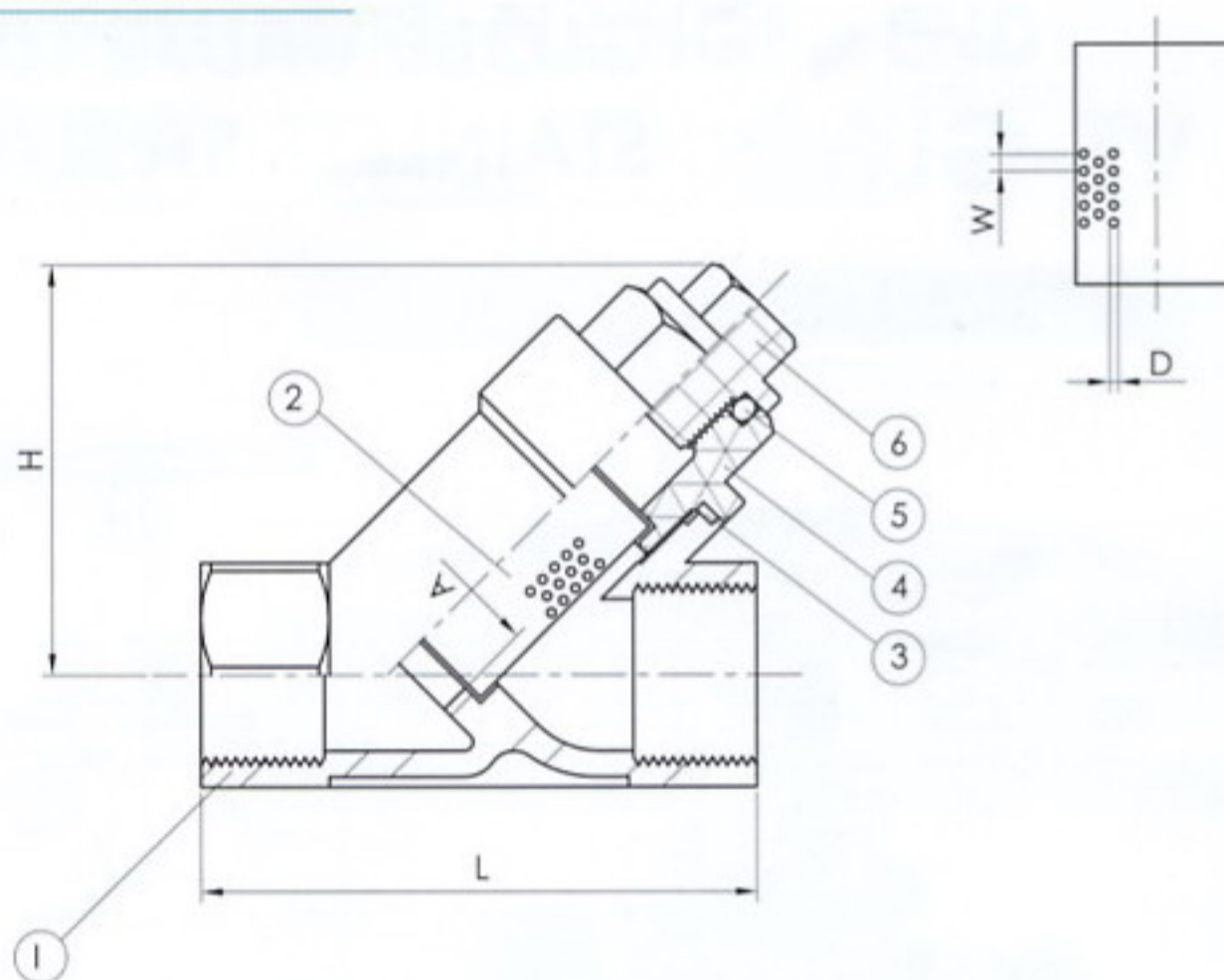
ITEM	PARTS	MATERIAL
1	BODY	ASTM-CF8M-A351
2	BONNET	ASTM-CF8M-A351
3	STEM	AISI 316
4	DISC	AISI 316
5	SEAT	PTFE
6	WASHER	AISI 304
7	NUT	AISI 304
8	JOINT GASKET	PTFE
9	STEM PACKING	PTFE
10	GLAND	AISI 304
11	PACKING NUT	AISI 304
12	HANDWHEEL	MALLEABLE IRON
13	WASHER	AISI 304
14	NUT	AISI 304

- FEATURES:**
- *Investment casting body.
 - *PN40.
 - *Max. working temperature 230° C.
 - *The end-to-end length conforms to Din 3202 Part 4. M8 series. (PN40)
 - *Thread ends conform to ANSI B2.1, BS21, DIN 259/2999, ISO 228

SIZE	d	L	S	H	D
1/4"	11.6	65.5	27	97	62
3/8"	12.5	65.5	27	97	62
1/2"	12.5	65.5	27	97	62
3/4"	18.0	75.5	32	110	62
1"	23.5	90.5	41	117	83
1-1/4"	31.4	111	50	138	83
1-1/2"	35.7	121	55.5	150	114
2"	45.5	151	70	168	114

VT-Y Y-STRAINER SCREWED END

SIZE: 1/4"~3"



- FEATURES:**
- *Investment casting body.
 - *Max. Pressure 800PSI.
 - *Maximum working temperature 230° C.
 - *The end-to-end length conforms to Din 3202, Part 4, M8 series. (PN16, PN40)
 - *Thread ends conform to ANSI B2.1, BS21, DIN259/2999, ISO 228

ITEM	PARTS	MATERIAL
1	BODY	ASTM A351-CF8M
2	SCREEN	AISI 316
3	GASKET	TEFLON
4	BONNET	ASTM A351-CF8M
5	O-RING	VITON
6	BLOW OFF	ASTM A351-CF8M

SIZE	A	H	L	W	D
1/4"	10	51	65	2	1
3/8"	12	51	65	2	1
1/2"	15	51	65	2	1
3/4"	20	60	80	2	1
1"	25	72	90	2	1
1-1/4"	32	77	105	2	1
1-1/2"	40	87	120	2	1
2"	50	103	140	2	1
2-1/2"	65	124	180	2	1
3"	80	143	200	2	1