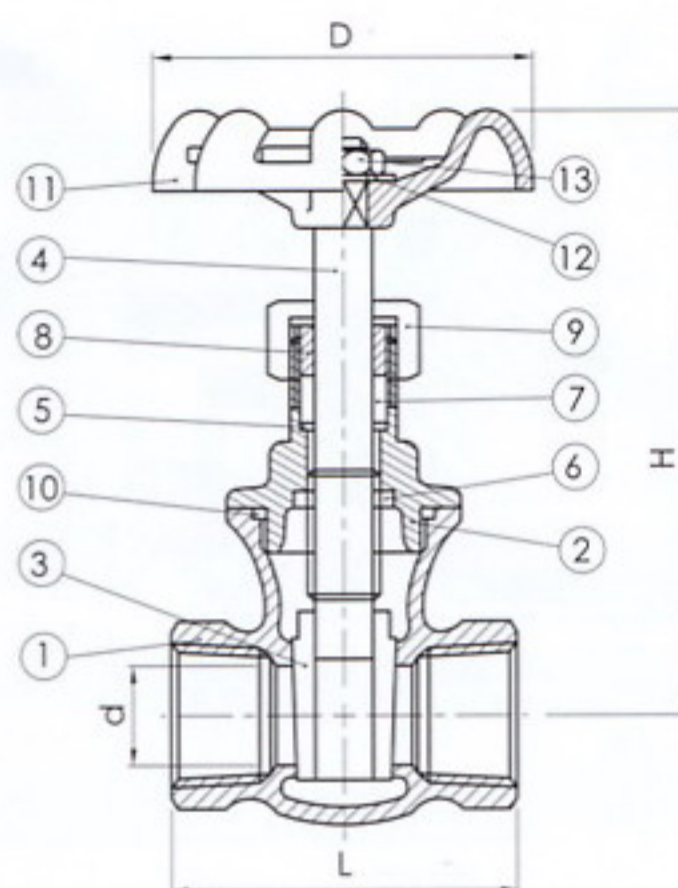


VT-GA CLASS 200 GATE VALVE

SIZE: 1/2"~2"



ITEM	PARTS	MATERIAL
1	BODY	ASTM-A351-CF8M
2	BONNET	ASTM-A351-CF8M
3	DISC	ASTM-A351-CF8M
4	STEM	AISI 316
5	STEM WASHER	AISI 316
6	SNAP WASHER	AISI 316
7	PACKING	PTFE
8	GLAND	AISI 316
9	PACKING NUT	ASTM-A351-CF8M
10	GASKET	PTFE
11	HAND WHEEL	CAST IRON
12	PLATE	ALUMINUM
13	WHEEL NUT	AISI 316

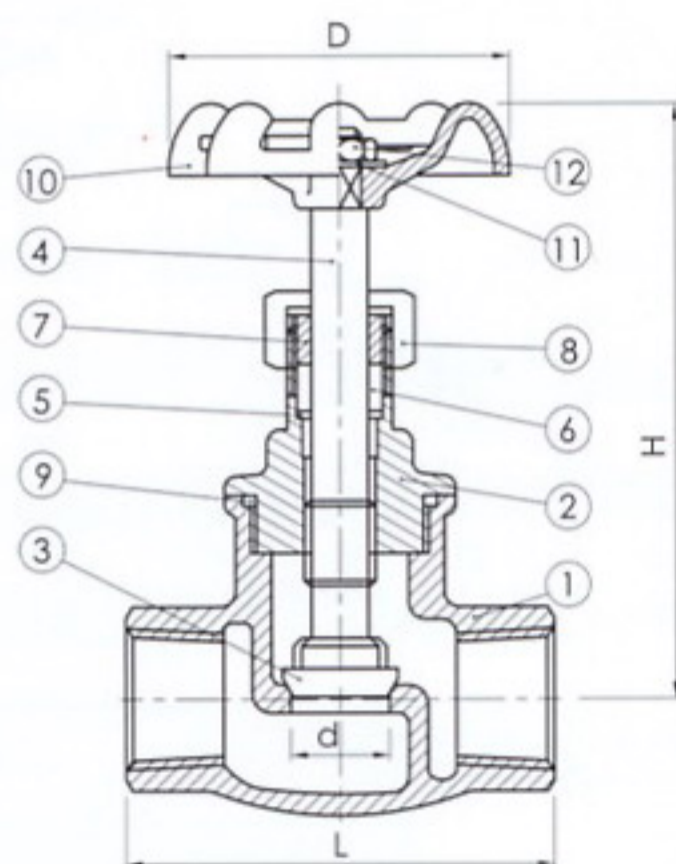
FEATURES:

- *Full port pressure temperature rating 200 PSI/W.O.G. 350°F S.P.
- *Threaded ends conform to ANSI B 2.1, BS 21, DIN 259/2999, ISO 228
- *Stainless steel class 200 inside screw and screwed bonnet, wedge disc integral seat, non-rising stem and handwheel.

SIZE	d	L	H OPEN	D
1/2"	15	54	93	60
3/4"	20	58	103	70
1"	25	65	112	70
1-1/4"	32	74	125	80
1-1/2"	40	78	145	90
2"	50	87	170	100

VT-GL CLASS 200 GLOBE VALVE

SIZE: 1/2"~2"



ITEM	PARTS	MATERIAL
1	BODY	ASTM-A351-CF8M
2	BONNET	ASTM-A351-CF8M
3	DISC	AISI 316
4	STEM	AISI 316
5	RETAINER RING	AISI 316
6	PACKING	PTFE
7	GLAND	AISI 316
8	PACKING NUT	ASTM-A351-CF8M
9	GASKET	PTFE
10	HAND WHEEL	CAST IRON
11	PLATE	ALUMINUM
12	WHEEL NUT	AISI 316

FEATURES:

- *Full port pressure temperature rating 200 PSI/W.O.G. 350°F S.P.
- *Threaded ends conform to ANSI B 2.1, BS 21, DIN 259/2999, ISO 228
- *Stainless steel class 200 inside screw and screwed bonnet, swivel disc integral seat, rising stem and handwheel.

SIZE	d	L	H OPEN	D
1/4"	10	52	102	60
3/8"	12	52	102	60
1/2"	15	52	102	60
3/4"	20	60	113	70
1"	25	72	123	70
1-1/4"	32	80	148	80
1-1/2"	40	90	160	90
2"	50	106	180	100