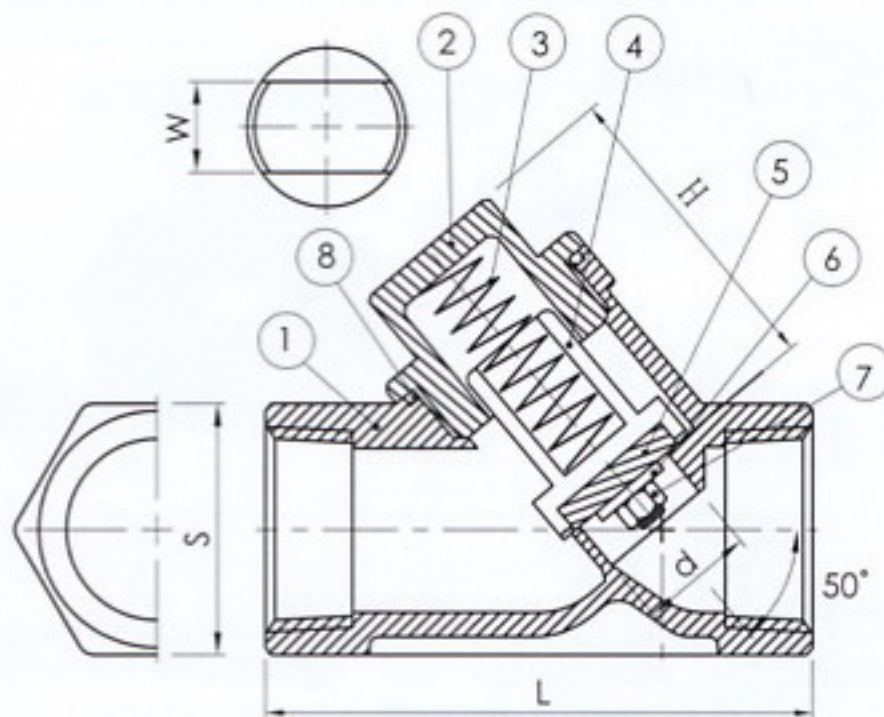
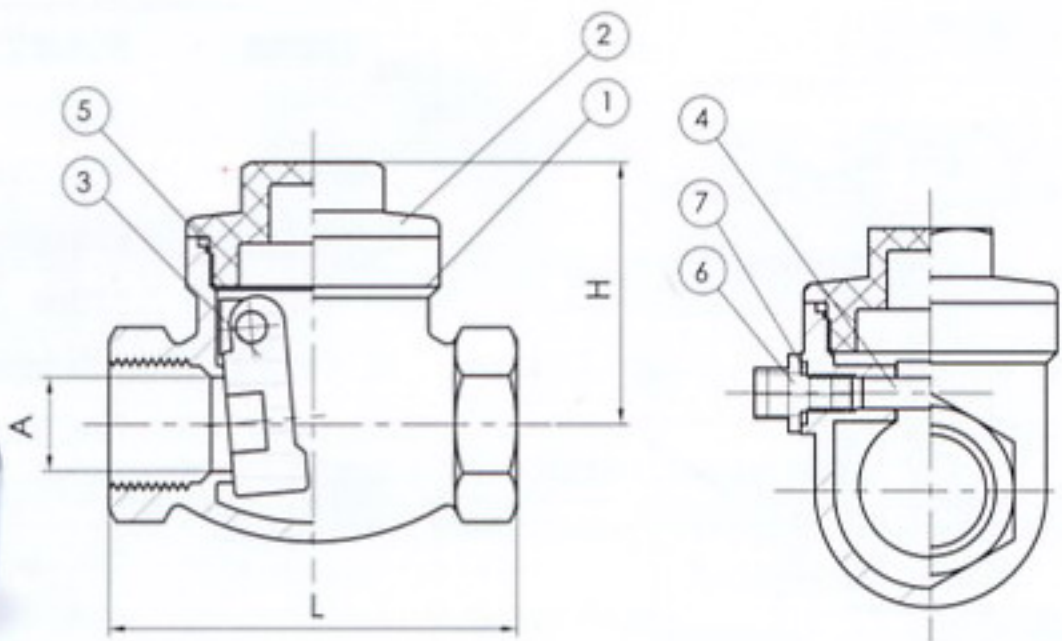


VT-P**PISTON CHECK VALVE SCREWED END****SIZE: 1/4"~2"**

ITEM	PARTS	MATERIAL
1	BODY	ASTM-A351-CF8M
2	CAP	ASTM-A351-CF8M
3	SPRING	AISI 316
4	DISC	AISI 316
5	SEAT	PTFE
6	WASHER	AISI 304
7	NUT	AISI 304
8	JOINT GASKET	PTFE

- FEATURES:**
- *Investment casting body & cap.
 - *PN40 rating.
 - *Maximum working temperature 230°C.
 - *The end-to-end length conforms to Din 3203. Part 4. M8 series. (PN40)
 - *Thread ends conform to ANSI B2.1, BS2.1, DIN 259/2999 standard, ISO228

SIZE	d	L	S	H	W
1/4"	11.6	65.5	27	38	24
3/8"	12.5	65.5	27	38	24
1/2"	12.5	65.5	27	36	24
3/4"	18	75.5	32	44	30
1"	23.5	90.5	41	57	35
1-1/4"	31.4	111	50	64	40
1-1/2"	35.7	121	55.5	76	45
2"	45.5	151	70	87	55

VT-C**CLASS 200 SWING CHECK VALVE****SIZE: 1/2"~3"**

NO.	DESCRIPTION	MATERIAL
1	BODY	CF8M
2	COVER	CF8M
3	DISC	CF8M
4	HINGE PIN	SUS316
5	GASKET	TEFLON
6	PLUG	SUS316
7	PLUG GASKET	TEFLON

- FEATURES:**
- *Full port pressure temperature rating 200 PSI /W.O.G. 350°F S.P. threaded ends conform to ANSI B 2.1, BS 21, DIN 259/2999, ISO228
 - *Stainless steel class 200 screwed cap, swing type disc, integral seat.

SIZE	A	H	L
1/4"	11	42	65
3/8"	15	42	65
1/2"	15	42	65
3/4"	20	51	80
1"	25	60	90
1-1/4"	32	67	105
1-1/2"	40	75	120
2"	50	81	140
2-1/2"	65	93	180
3"	80	104	200