

V-3WMH TYPE

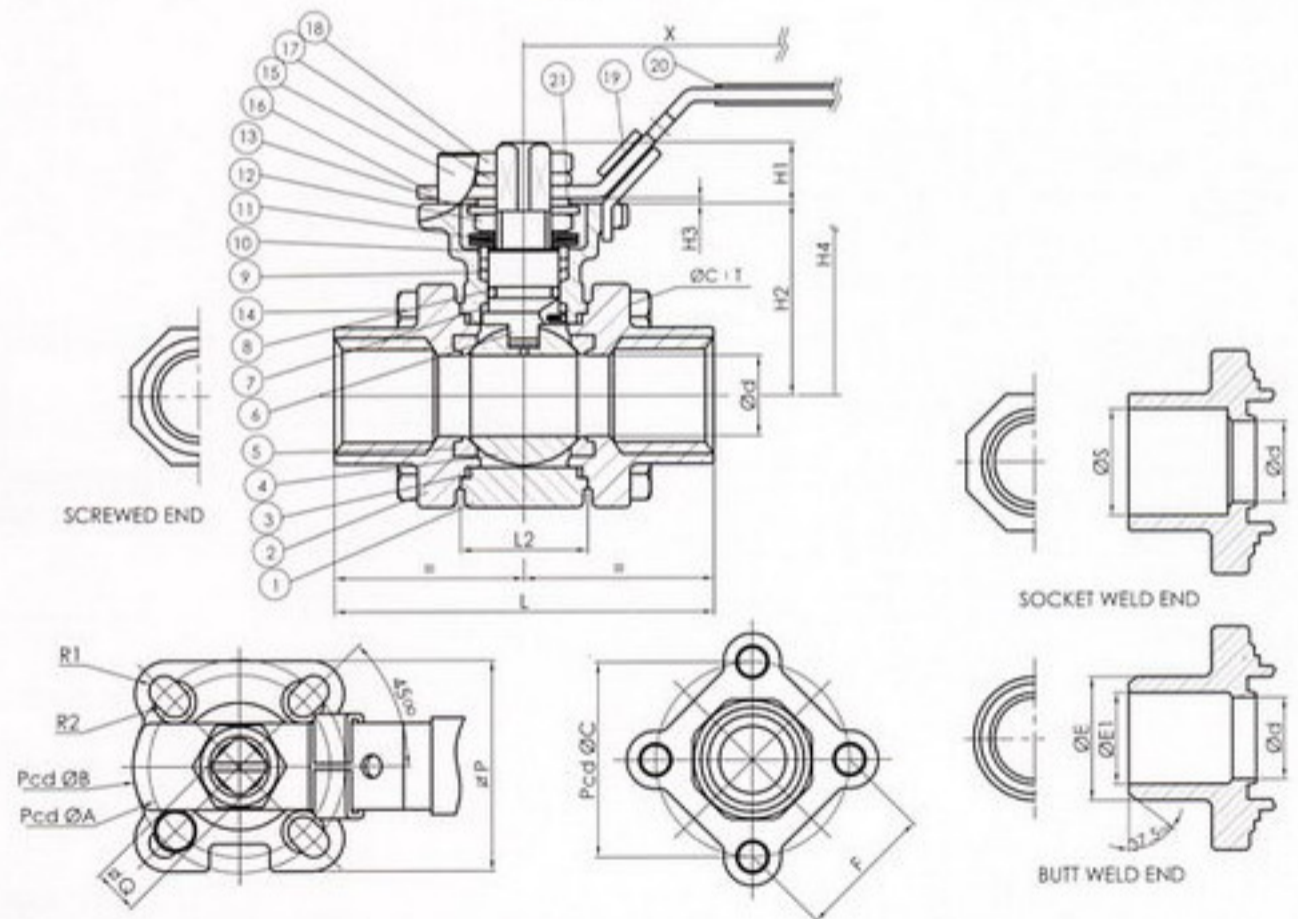
SIZE: 1/4"~2"

STAINLESS STEEL AISI 316 (DIN 1.4408) CARBON STEEL S45C (Din 1.0619)

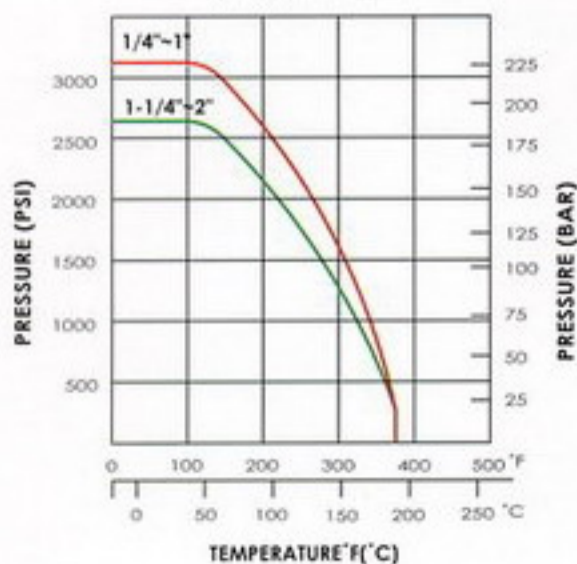
- FEATURES:**
- * Pipe thread in accordance with ANSI B2.1, BS21 1973, DIN259/2999, ISO 228
 - * Blow-out proof stem
 - * Investment casting body and cap
 - * 2000PSI / 3000PSI (W.O.G.)
 - * Direct Mounting Pad ISO 5211
 - * Screwed end, butt weld end, socket weld end.
 - * Material: ASTM-A351-CF8M, ASTM-A351-CF8 & ASTM-A216-WCB
 - * **OPTION:** Similar Design but with C Style clip DIN Standard, M3 Length Reduced port



ITEM	PARTS	QTY	MATERIALS	
			V3WMH	V3WMH-C
1	BODY	1	ASTM-A351-CF8M	ASTM-A216-WCB
2	END CAP	2	ASTM-A351-CF8M	ASTM-A216-WCB
3	JOINT GASKET	2	PTFE	PTFE
4	SOLID BALL	1	ASTM-A351-CF8M	ASTM-A351-CF8M
5	BALL SEAT	2	15% R-PTFE	15% R-PTFE
6	STEM	1	AISI 316	AISI 316
7	THRUST WASHER	1	25% CARBON	25% CARBON
8	O-RING	1	VITON	VITON
9	STEM PACKING	2	PTFE	PTFE
10	STEM RING	1	AISI 304	AISI 304
11	BELLEVILLE WASHER	2	AISI 301	AISI 301
12	STEM NUT	1	AISI 304	AISI 304
13	SADDLE WASHER	1	AISI 304	AISI 304
14	HEX BOLT	8	AISI 304	AISI 304
15	STOP PIN	1	AISI 304	AISI 304
16	HANDLE	1	AISI 304	AISI 304
17	SPRING WASHER	1	AISI 304	AISI 304
18	HANDLE NUT	1	AISI 304	AISI 304
19	LOCKING DEVICE	1	AISI 304	AISI 304
20	COVER	1	PLATIC	PLATIC
21	SQUARE WASHER	1	AISI 304	AISI 304



PRESSURE-TEMPERATURE RATING 1/4" - 2"



DIMENSIONS

UNIT:mm

NOMINAL SIZE	ød	L				L2	H1	H2	H3	H4	ISO-5211				T	Pcd ø	F	X	TORQUE kgl-cm	KG				
		SD	S	B	øB/A						øQ	R1	R2	øE							øE1	øS	øP	øC
1/4"	11	65	65	70	22.7	10	34	between 2.0 - 3.0 mm	58	F03 ø36	9	ø6	—	18	14.1	14.1	37.5	6.5	4.3	40	28.2	112	40	0.46
3/8"	12.5	65	65	70	22.7	10	34		58	F03 ø36	9	ø6	—	18	17.6	17.6	37.5	6.5	4.3	40	28.2	112	40	0.48
1/2"	16	75	75	75	24	12	38	62	F03 ø36 F04 ø42	9	R3	R3	22	21.7	21.7	41.5	6.5	4.3	44	31.1	112	54	0.54	
3/4"	20	80	80	80	28	12	43	66	F03 ø36 F04 ø42	11	R3	R3	27.5	27.1	27.1	41.5	8.4	4.3	53.4	37.8	125	74	0.82	
1"	25	90	90	100	34	12	50	75	F04 ø42 F05 ø50	11	R3	R3.5	33.5	33.8	33.8	50.4	8.4	5.5	65	46	138	104	1.1	
1-1/4"	32	110	110	110	44	12	55	80	F04 ø42 F05 ø50	14	R3	R3.5	44	44	44	50.4	10.6	5.5	77	54.4	138	135	1.72	
1-1/2"	38	120	120	120	53	16	65	95	F05 ø50 F07 ø70	14	R3.5	R4.5	50	50	50	66.5	10.6	5.5	93	65.8	170	180	2.3	
2"	50	140	140	150	65	16	75	104	F05 ø50 F07 ø70	14	R3.5	R4.5	61.5	61.5	61.5	66.5	10.6	5.5	122	86.3	170	250	3.5	