



SIZE: 1/4"~6"



STAINLESS STEEL

AISI-316 (EN10213-4 1.4408) (ASTM-A351-CF8M)

AISI-304 (EN10213-4 1.4308) (ASTM-A351-CF8) (OPTIONAL)

CARBON STEEL

S-20C (EN10213-2 1.0619) (ASTM-A216-WCB) (OPTIONAL)

FEATURES:

*Pipe thread in accordance with ANSI B2.1, BS21 1973, DIN259/2999, ISO 228

*lug body

*Blow-out proof stem

*Investment casting body and cap

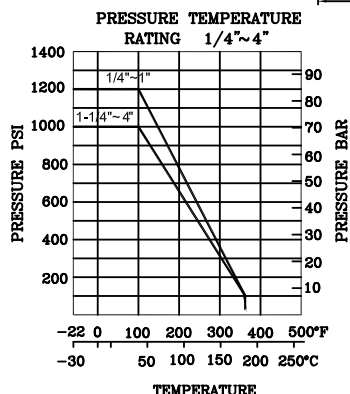
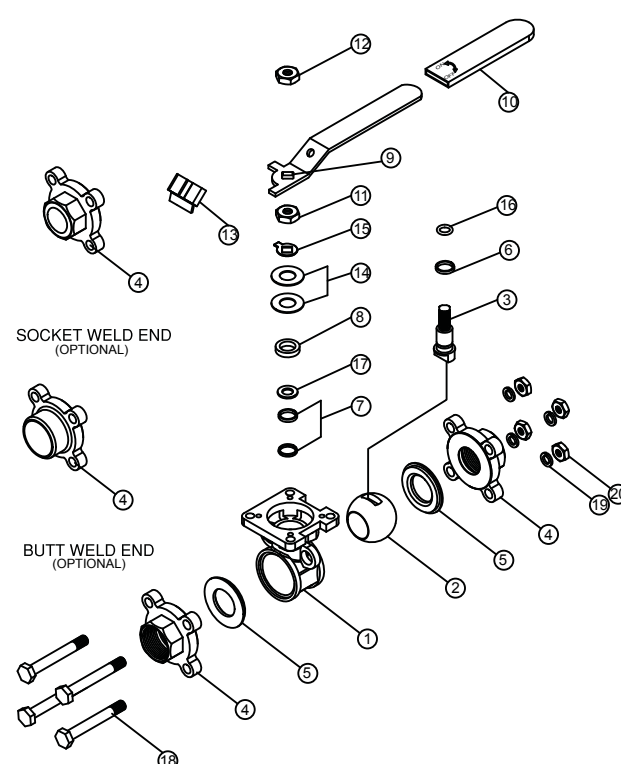
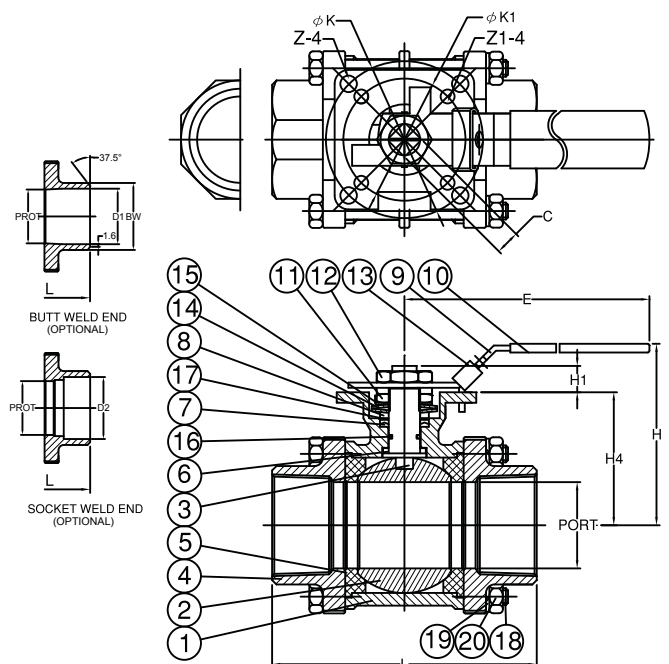
*1000 WOG (63 BAR)

*Direct Mounting Pad for ISO Standard 5211

*5"~6" Butt weld only

OPTION: C Style clip without handle

NO.	PART NAME	MATERIAL	MATERIAL (OPTIONAL)	MATERIAL (OPTIONAL)	Q'TY
1	BODY	ASTM-A351-CF8M	ASTM-A351-CF8	ASTM-A216-WCB	1
2	BALL	ASTM-A351-CF8M	ASTM-A351-CF8	ASTM-A351-CF8	1
3	STEM	SS316	SS304	SS304	1
4	END CAP	ASTM-A351-CF8M	ASTM-A351-CF8	ASTM-A216-WCB	1
5	SEAT	RTFE	RTFE	RTFE	1SET
6	THRUST WASHER	RTFE	RTFE	RTFE	1
7	STEM PACKING	RTFE	RTFE	RTFE	1SET
8	GLAND BUSH	SS304	SS304	SS304	1
9	HANDLE	SS304	SS304	SS304	1
10	HANDLE COVER	VINYL GRIP	VINYL GRIP	VINYL GRIP	1
11	STEM NUT	SS304	SS304	SS304	1
12	HANDLE NUT	SS304	SS304	SS304	1
13	LOCKING PAD	SS304	SS304	SS304	1
14	BELLEVILLE WASHER	SS304-CSP	SS304-CSP	SS304-CSP	2
15	TAB WASHER	SS304	SS304	SS304	1
16	O-RING	VITON	VITON	VITON	1
17	PACKING FOLLWER	PTFE+25%G.F.	PTFE+25%G.F.	PTFE+25%G.F.	1
18	BODY BOLT	SS304	SS304	SS304	4-6
19	BOLT WASHER	SS304	SS304	SS304	4-12
20	BOLT NUT	SS304	SS304	SS304	4-12



DIMENSIONS													UNIT:mm			
SIZE	PORT	L	E	H	H1	H4	C	φK	φK1	Z-4	Z1-4	BW	D1	D2	Torque kgf-cm	
DN8	1/4"	11.5	63.5	112.0	73.0	8.5	37.0	9.0	50.0	36.0	7.0	6.0	13.7	11.0	14.2	30
DN10	3/8"	12.5	63.5	112.0	73.0	8.5	37.0	9.0	50.0	36.0	7.0	6.0	17.1	12.5	17.5	30
DN15	1/2"	15.0	63.5	112.0	73.0	8.5	37.0	9.0	50.0	36.0	7.0	6.0	21.3	15.8	21.8	30
DN20	3/4"	20.0	72.5	112.0	80.8	8.5	45.0	9.0	50.0	36.0	7.0	6.0	26.7	20.9	27.4	45
DN25	1"	25.0	81.0	136.0	90.5	11.4	53.5	9.0	50.0	36.0	7.0	6.0	33.4	26.6	34.1	65
DN32	1-1/4"	32.0	94.5	185.0	98.7	11.4	59.0	9.0	50.0	36.0	7.0	6.0	42.2	35.1	42.7	100
DN40	1-1/2"	38.0	108.0	197.9	115.3	14.0	74.8	14.0	70.0	50.0	9.0	7.0	48.3	40.9	49.0	200
DN50	2"	50.0	121.5	197.9	124.0	13.7	83.5	14.0	70.0	50.0	9.0	7.0	60.3	52.5	61.0	230
DN65	2-1/2"	65.0	157.5	267.0	155.0	18.0	108.8	17.0	102.0	70.0	11.0	9.0	73.0	62.7	77.0	400
DN80	3"	80.0	190.0	267.0	208.5	18.0	118.3	17.0	102.0	70.0	11.0	9.0	88.9	77.9	90.2	460
DN100	4"	100.0	225.0	322.0	216.7	18.0	153.8	17.0	102.0	70.0	11.0	9.0	114.3	102.3	115.3	820
DN125	5"	125.0	263.0	500.0	193.0	47.0	158.5	27.0	125.0	102.0	14.0	12.0	139.8	125.0	134.7	1200
DN150	6"	150.0	342.0	500.0	210.0	47.0	175.0	27.0	125.0	102.0	14.0	12.0	165.2	150.0	161.5	1500