

V-2F TYPE

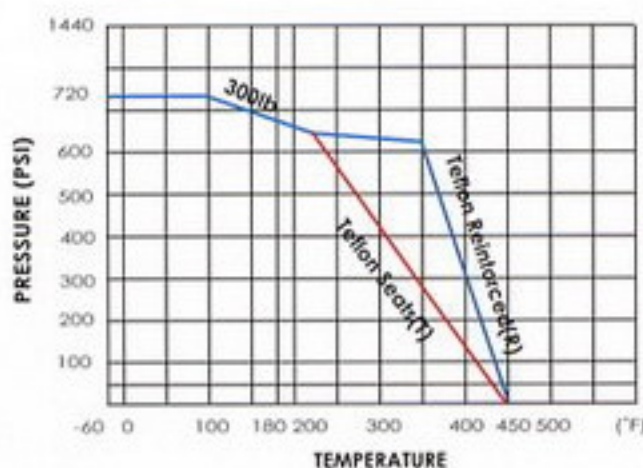
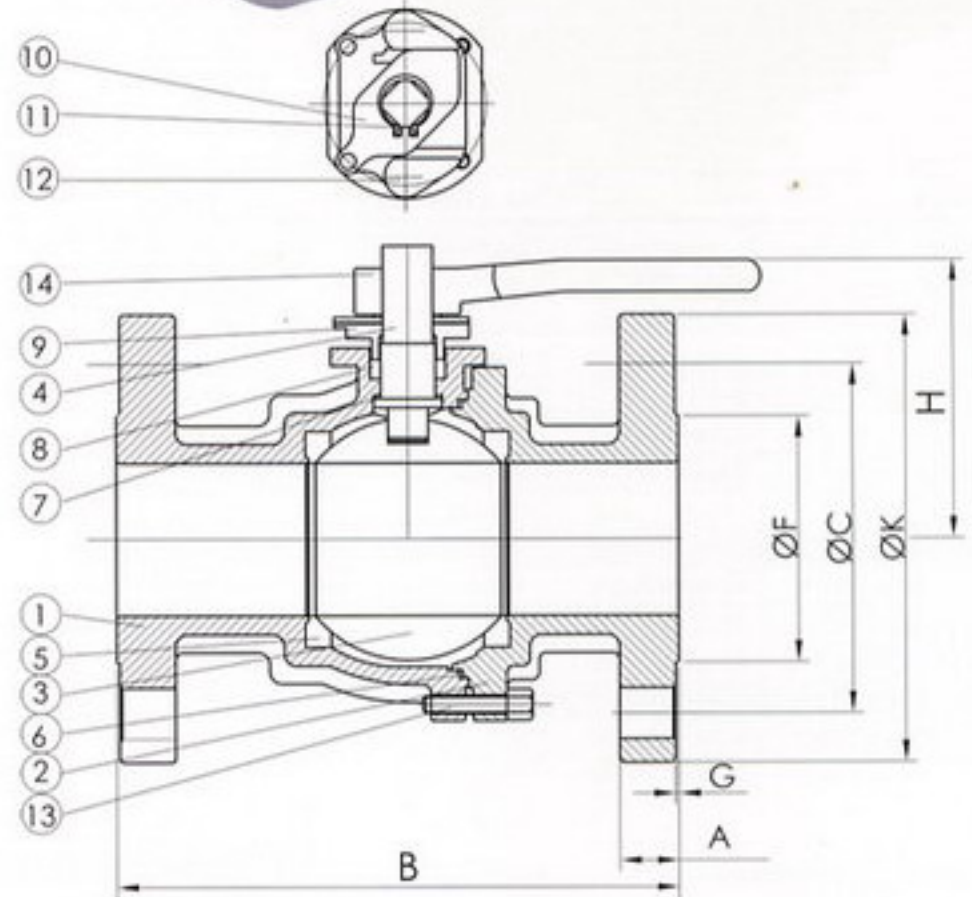
SIZE: 1/2"~8"

ANSI CLASS 300 STAINLESS STEEL & CARBON STEEL

- FEATURES:**
- *Body & cap in ASTM-A351-CF8M, ASTM-A351-CF8, ASTM-A216-WCB
 - *Trim in AISI 316
 - *Flange: ANSI B16.5 class 300
 - *Face to face : ANSI B16.10
 - *Anti-static, fire safe design
 - *Blow-out proof stem, lever operated
 - *Full port, solid ball
 - *Solid ball / hollow ball



NO.	PART NAME	MATERIALS (ASTM STANDARD)		
1	BODY	CF8M	CF8	WCB
2	CAP	CF8M	CF8	WCB
3	BALL	CF8M	CF8	SS304
4	STEM	CF8M	CF8	SS304
5	BALL SEAT	PTFE	PTFE	PTFE
6	JOINT GASKET	PTFE	PTFE	PTFE
7	THRUST WASHER	PTFE	PTFE	PTFE
8	PACKING	PTFE	PTFE	PTFE
9	GLAND	CF8M	CF8	SS304
10	STOPPER	SS304	SS304	SS304
11	SNAP RING	SS304	SS304	SS304
12	GLAND BOLT	SS304	SS304	SS304
13	STUD BOLT	SS304	SS304	SS304
14	HANDLE	WCB	WCB	WCB



NOMINAL SIZE	DIMENSIONS							UNIT:mm	
	A	B	F	G	H	K	C	KG	TORQUE kgf-cm
1/2"	14.3	140	35	1.6	85	95	66.5	2.7	148
3/4"	15.9	152	43	1.6	90	117	82.5	3.28	175.4
1"	17.5	165	51	1.6	105	124	89.0	6.46	204
1-1/2"	20.7	190	73	1.6	115	156	114.5	8.85	359
2"	22.3	216	92	1.6	120	165	127.0	11.47	359
3"	28.6	283	127	1.6	180	210	168.0	25.25	1290.3
4"	31.8	305	157	1.6	195	254	200	38.85	1591.2
6"	36.6	403	216	1.6	290	318	270.0	87	3539.4
8"	41.3	502	270	1.6	350	381	330.0	156	3978