

V-2ER_{TYPE}

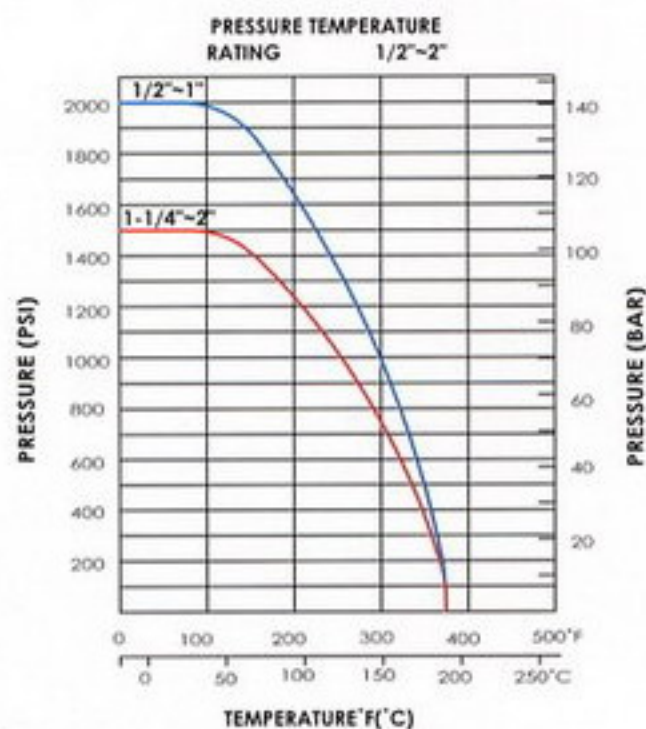
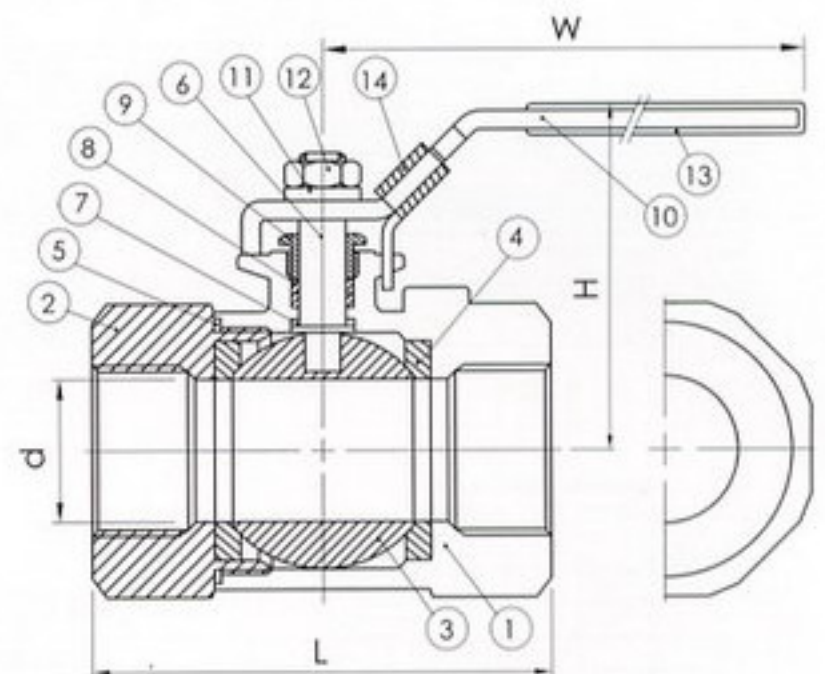
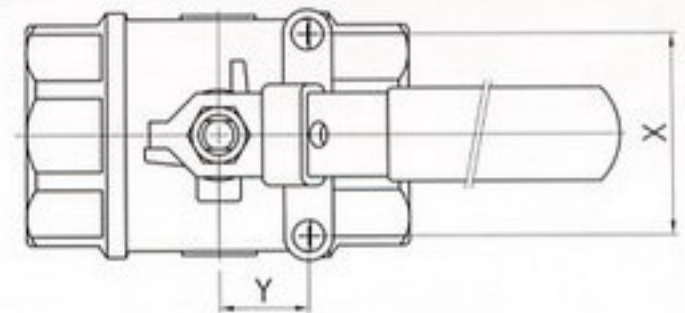
SIZE: 1/2"~2"

INVESTMENT CASTING 2-PC STAINLESS STEEL, CARBON STEEL BALL VALVE SCREWED ENDS

- FEATURES:**
- *Pipe thread in accordance with ANSI B2.1, BS21 1973, DIN259/2999, ISO 228
 - *Lug body
 - *With Mounting Pad
 - *Blow-out proof stem/Full port
 - *Investment casting body and cap
 - *2000PSI (138 BAR) W.O.G./800 PSI(55BAR) W.O.G.
 - *Material:ASTM-A351-CF8M, ASTM-A351-CF8
 - *OPTION: Locking device
Drilling and Tapped Mounting Pad



ITEM	PARTS	Q'TY	MATERIALS	
			V2ER	V2ER-C
1	BODY	1	ASTM-A351-CF8M	ASTM-A216-WCB
2	CAP	1	ASTM-A351-CF8M	ASTM-A216-WCB
3	BALL	1	ASTM-A351-CF8M	ASTM-A351-CF8M
4	BALL SEAT	2	15% R-PTFE	15% R-PTFE
5	JOINT GASKET	1	PTFE	PTFE
6	STEM	1	AISI 316	AISI 316
7	THRUST WASHER	1	PTFE	PTFE
8	STEM PACKING	2	PTFE	PTFE
9	GLAND NUT	1	AISI 304	AISI 304
10	HANDLE	1	AISI 304	AISI 304
11	SPRING WASHER	1	AISI 304	AISI 304
12	STEM NUT	1	AISI 304	AISI 304
13	PLASTIC COVER	1	PLASTIC	PLASTIC
14	LOCK DEVICE	1	AISI 304	AISI 304



DIMENSIONS							UNIT:mm	
NOMINAL SIZE	d	L	H	W	X	Y	Cv FACTOR	TORQUE kgf-cm
1/2"	10	59.5	50.5	93	25	12.5	9.5	40
3/4"	15	60	52.9	93	25	12.5	14	57
1"	20	82	59.1	110	25	21	26	78
1-1/4"	25	91	65.1	110	33.5	22.5	43	106
1-1/2"	32	99	77.3	135	38.1	23.5	70	150
2"	40	120	86.9	135	38.1	23.5	102	200