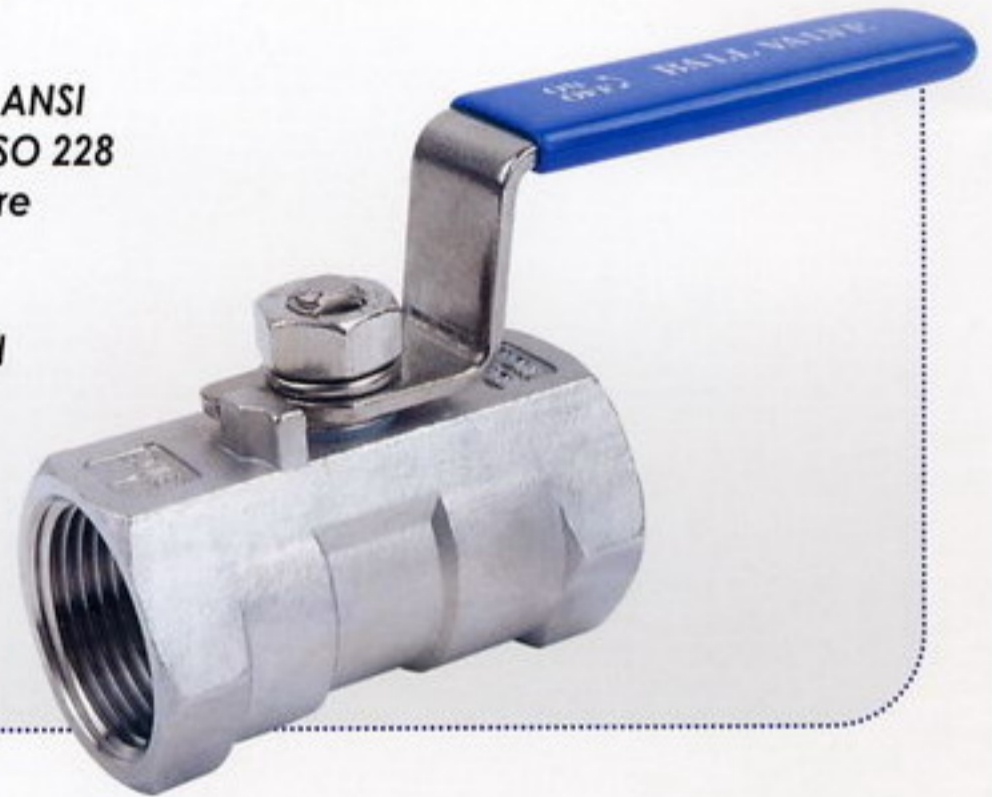


# V-1 TYPE

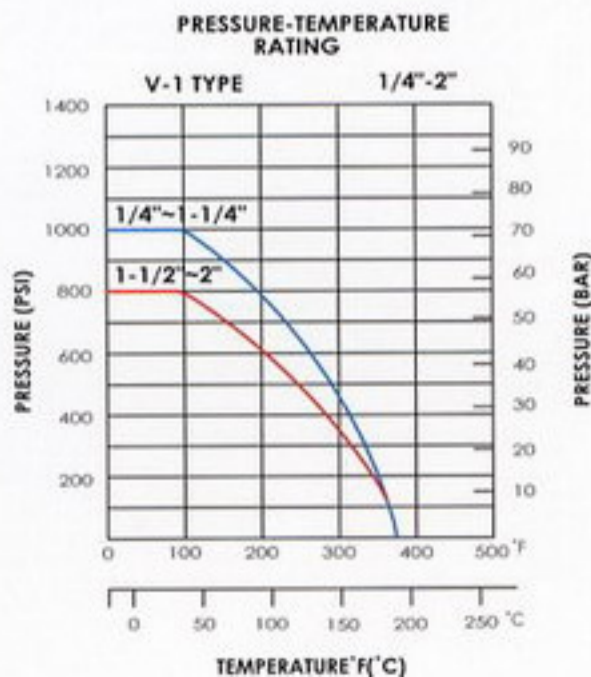
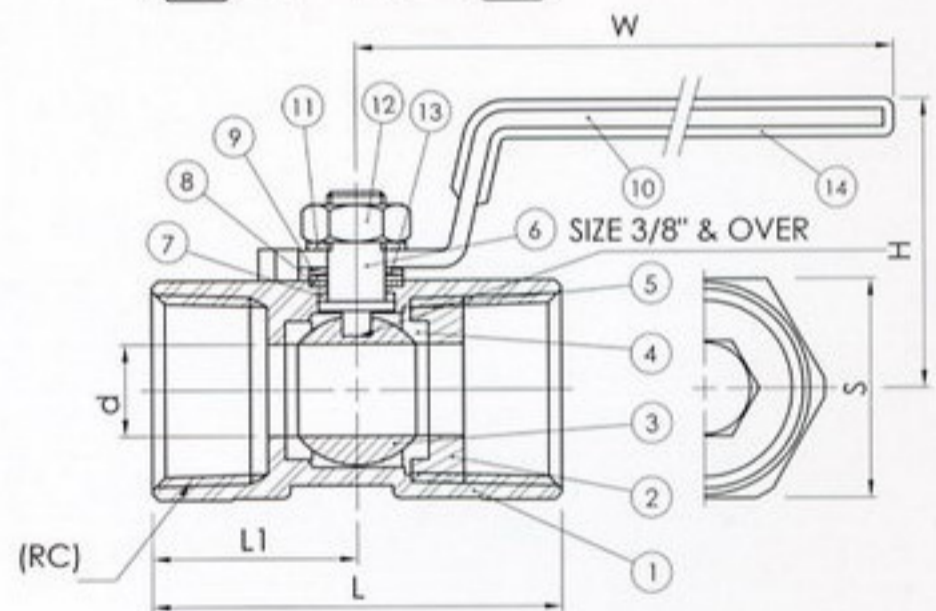
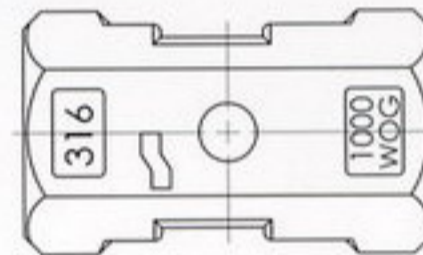
SIZE: 1/4"~2"

## INVESTMENT CASTING STAINLESS STEEL BALL VALVE SCREWED END

- FEATURES:**
- \*Pipe thread in accordance with ANSI B2.1, BS 21 1973, DIN 259/2999, ISO 228
  - \*Blow-out proof stem/Reduce bore
  - \*Investment casting body and inscrewed
  - \*800 PSI (55 BAR) W.O.G./1000 PSI (69 BAR) W.O.G.
  - \*Material:ASTM-A351-CF8M, ASTM-A351-CF8
  - \*OPTION: Locking device  
Oval Handle  
Wing Handle



NO	NAME OF PARTS	Q'TY	MATERIALS	SPECIFICATION
				JIS SPEC.
1	BODY	1	ASTM-A351-CF8M	SUS316 OR SCS14A
2	INSERT	1	ASTM-A351-CF8M	SUS316 OR SCS14A
3	BALL	1	ASTM-A351-CF8M	SUS316
4	BALL SEAT	2	15% R-PTFE	15% R-PTFE
5	JOINT GASKET	1	PTFE	PTFE
6	STEM	1	AISI 316	SUS316
7	THRUST WASHER	1	PTFE	PTFE
8	STEM PACKING	1	PTFE	PTFE
9	STEM WASHER	1	AISI 304	SUS304
10	HANDLE	1	AISI 304	SUS304
11	SPRING WASHER	1	AISI 304	SUS304
12	STEM NUT	1	AISI 304	SUS304
13	BELLEVILLE WASHER	1	AISI 304	SUS304
14	PLASTIC COVER	1	PLASTIC	PLASTIC



### DIMENSIONS UNIT:mm

NOMINAL SIZE	d	L	L1	H	W	S	Cv FACTOR	TORQUE kgf-cm	kg
1/4"	5	39	19	35	66	17	3.8	12	0.070
3/8"	7	44	21	36	74	21	4.0	12	0.102
1/2"	9.2	56.5	27.5	41	89	25	4.5	13	0.166
3/4"	12.5	59	30	44	89	32	9.0	20	0.247
1"	16	71	36	51	105	38	16.0	38	0.412
1-1/4"	20	78	39	56	105	48	24.0	50	0.672
1-1/2"	24.5	83	41.7	64	130	53	37.0	72	0.838
2"	32	100	50	71	130	65	68.0	90	1.384