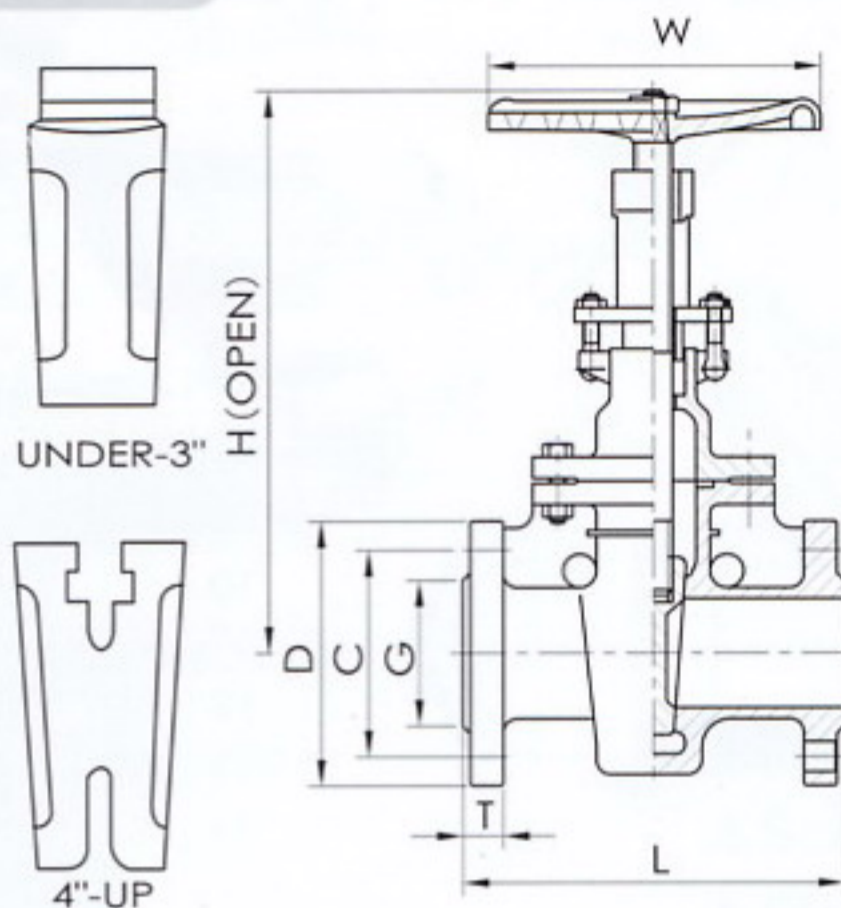


VT-GAF

GATE VALVE 10K/150LBS/300LBS FLANGE END STAINLESS STEEL/CARBON STEEL.

SIZE: 1/2"~12"



TEST PRESSURE

SHELL(BY WATER)	450 PSI 32kgf/cm ²
BY	315PSI
SEAT	
WATER	22kgf/cm ²
BY	80PSI
AIR	6kgf/cm ²

APPLICATIONS:

FACE TO FACE DIMENSIONS: JIS B2002/ANSI B16.10
END FLANGE DIMENSIONS: JIS B2210/ANSI B16.5RF
DESIGN: ANSI B16.34/API603
TESTING: API598

SIZE	L	H	W	D		C		G		T	
				10K	150	10K	150	10K	150	10K	150
1/2"	108	183	120	95	89	70	60.5	52	35	12	11.1
3/4"	117	190	120	100	98	75	70	58	43	14	11.1
1"	127	210	120	125	108	90	79.5	70	51	14	11.1
1 1/2"	165	270	200	140	127	105	98.5	85	73	16	14.3
2"	178	320	200	155	152	120	120.5	100	92	16	15.9
2 1/2"	190	375	200	175	178	140	139.5	120	105	18	17.5
3"	203	445	250	185	190	150	152.5	130	127	18	19.1
4"	229	523	250	210	229	175	190.5	155	157	18	23.9
5"	254	606	300	250	254	210	216	185	186	20	23.9
6"	267	710	300	280	279	240	241.5	215	216	22	25.4
8"	292	910	350	330	343	290	298.5	265	270	22	28.6
10"	330	1117	400	400	406	355	362	325	324	24	30.2
12"	356	1324	400	445	483	400	432	370	381	24	31.8
14"	381	1519	500	490	533	445	476	415	413	26	35.0

MATERIALS LIST

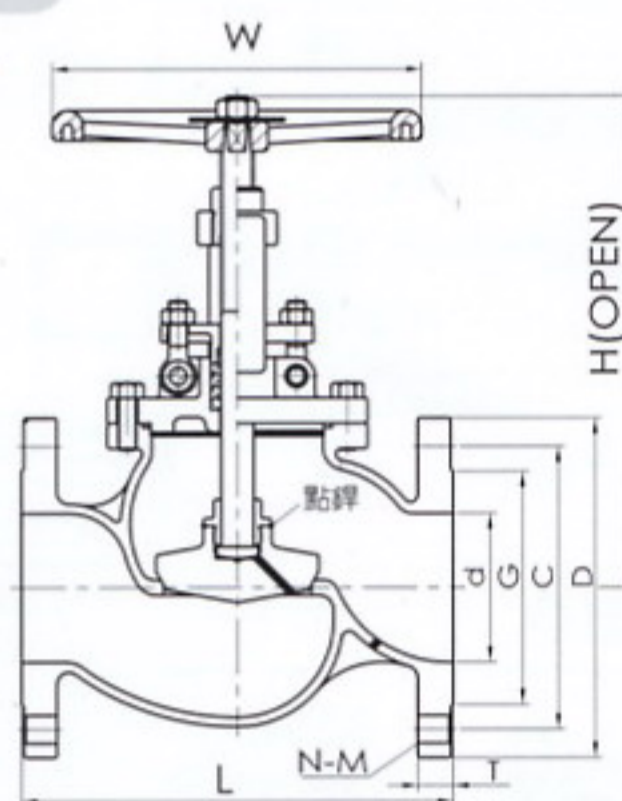
PART NAME

BODY	WCB	SCS13	SCS14
	WCB	CF8	CF8M
BONNET	WCB	SCS13	SCS14
	WCB	CF8	CF8M
STEM	SUS410	SUS304	SUS316
DISC	SUS304	SUS304	SUS316
SEAT RING	SUS304	SUS304	SUS316
GLAND	SUS304	SUS304	SUS316
GLAND PACKING	GRAPHITE	PTFE	PTFE
GLAND FLANGE	SUS304	SUS304	SUS316
HAND WHEEL	FCD	FCD	FCD
GASKET	PTFE(OR NO ASBESTOS)		
BONNET BOLT/NUT	B7	ASTM 194-B8	
GLAND BOLT/NUT	B7	ASTM 194-B8	
YOKE SLEEVE	BRONZE(OR DUCTILENI-RESIST)		

VT-GLF

GLOBE VALVE 10K/150LBS/300LBS FLANGE END STAINLESS STEEL/CARBON STEEL.

SIZE: 1/2"~12"



TEST PRESSURE

SHELL(BY WATER)	450 PSI 32kgf/cm ²
BY	315PSI
SEAT	
WATER	22kgf/cm ²
BY	80PSI
AIR	6kgf/cm ²

APPLICATIONS

FACE TO FACE DIMENSIONS: JIS B2002/ANSI B16.10
END FLANGE DIMENSIONS: JIS B2210/ANSI B16.5RF
DESIGN: ANSI B16.34/API603
TESTING: API598

SIZE	L	H	W	D		C		G		T	
				10K	150	10K	150	10K	150	10K	150
1/2"	108	168	140	95	89	70	60.5	52	35	12	11.1
3/4"	117	168	140	100	98	75	70	58	43	14	11.1
1"	127	173	140	125	108	90	79.5	70	51	14	11.1
1 1/2"	165	200	160	140	127	105	98.5	85	73	16	14.3
2"	203	230	200	155	152	120	120.5	100	92	16	15.9
2 1/2"	216	243	200	175	178	140	139.5	120	105	18	17.5
3"	241	286	250	185	190	150	152.5	130	127	18	19.1
4"	292	325	250	210	229	175	190.5	155	157	18	23.9
5"	356	380	300	250	254	210	216	185	186	20	23.9
6"	406	445	350	280	279	240	241.5	215	216	22	25.4
8"	495	545	350	330	343	290	298.5	265	270	22	28.6
10"	622	650	400	400	406	355	362	325	324	24	30.2
12"	698	736	400	445	483	400	432	370	381	24	31.8

MATERIALS LIST

PART NAME

BODY	WCB	SCS13	SCS14
	WCB	CF8	CF8M
BONNET	WCB	SCS13	SCS14
	WCB	CF8	CF8M
STEM	SUS410	SUS304	SUS316
DISC	SUS304	SUS304	SUS316
SEAT RING	SUS304	SUS304	SUS316
GLAND	SUS304	SUS304	SUS316
GLAND PACKING	GRAPHITE	PTFE	PTFE
GLAND FLANGE	SUS304	SUS304	SUS316
HAND WHEEL	FCD	FCD	FCD
GASKET	PTFE(OR NO ASBESTOS)		
BONNET BOLT/NUT	B7	ASTM 194-B8	
GLAND BOLT/NUT	B7	ASTM 194-B8	
YOKE SLEEVE	BRONZE(OR DUCTILENI-RESIST)		