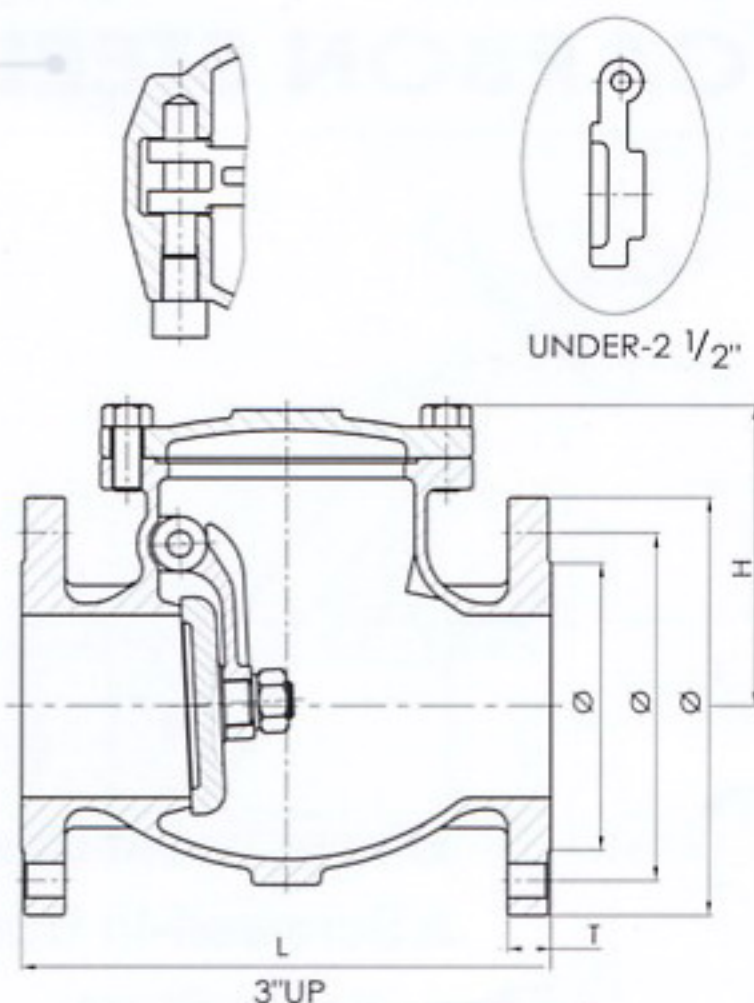


VT-WCF

SWING CHECK VALVE 10K/150LBS/300LBS FLANGE END STAINLESS STEEL/CARBON STEEL.

SIZE: 1/2"~12"



| TEST PRESSURE | | |
|------------------|----------|-----------------------|
| SHELL (BY WATER) | | 450 PSI |
| | | 32kgf/cm ² |
| SEAT | BY WATER | 315PSI |
| | BY WATER | 22kgf/cm ² |
| | BY AIR | 80PSI |
| | BY AIR | 6kgf/cm ² |

APPLICATIONS

FACE TO FACE DIMENSIONS: JIS B2002/ANSI B16.10
END FLANGE DIMENSIONS: JIS B2210/ANSI B16.5RF
DESIGN: ANSI B16.34/API603
TESTING: API598

| SIZE | L | H | D | | C | | G | | T | | |
|--------|-----|-----|-----|-----|-----|-----|-------|-----|-----|-----|------|
| | | | 10K | 150 | 10K | 150 | 10K | 150 | 10K | 150 | |
| 1/2" | 15 | 112 | 65 | 95 | 89 | 70 | 60.5 | 52 | 35 | 12 | 11.1 |
| 3/4" | 20 | 125 | 70 | 100 | 98 | 75 | 70 | 58 | 43 | 14 | 11.1 |
| 1" | 25 | 135 | 75 | 125 | 108 | 90 | 79.5 | 70 | 51 | 14 | 11.1 |
| 1 1/2" | 40 | 165 | 107 | 140 | 127 | 105 | 98.5 | 85 | 73 | 16 | 14.3 |
| 2" | 50 | 203 | 120 | 155 | 152 | 120 | 120.5 | 100 | 92 | 16 | 15.9 |
| 2 1/2" | 65 | 216 | 135 | 175 | 178 | 140 | 139.5 | 120 | 105 | 18 | 17.5 |
| 3" | 80 | 241 | 147 | 185 | 190 | 150 | 152.5 | 130 | 127 | 18 | 19.1 |
| 4" | 100 | 292 | 169 | 210 | 229 | 175 | 190.5 | 155 | 157 | 18 | 23.9 |
| 5" | 125 | 330 | 190 | 250 | 254 | 210 | 216 | 185 | 186 | 20 | 23.9 |
| 6" | 150 | 356 | 213 | 280 | 279 | 240 | 241.5 | 215 | 216 | 22 | 25.4 |
| 8" | 200 | 495 | 253 | 330 | 343 | 290 | 298.5 | 265 | 270 | 22 | 28.6 |
| 10" | 250 | 622 | 279 | 400 | 406 | 355 | 362 | 325 | 324 | 24 | 30.2 |
| 12" | 300 | 698 | 312 | 445 | 483 | 400 | 432 | 370 | 381 | 24 | 31.8 |

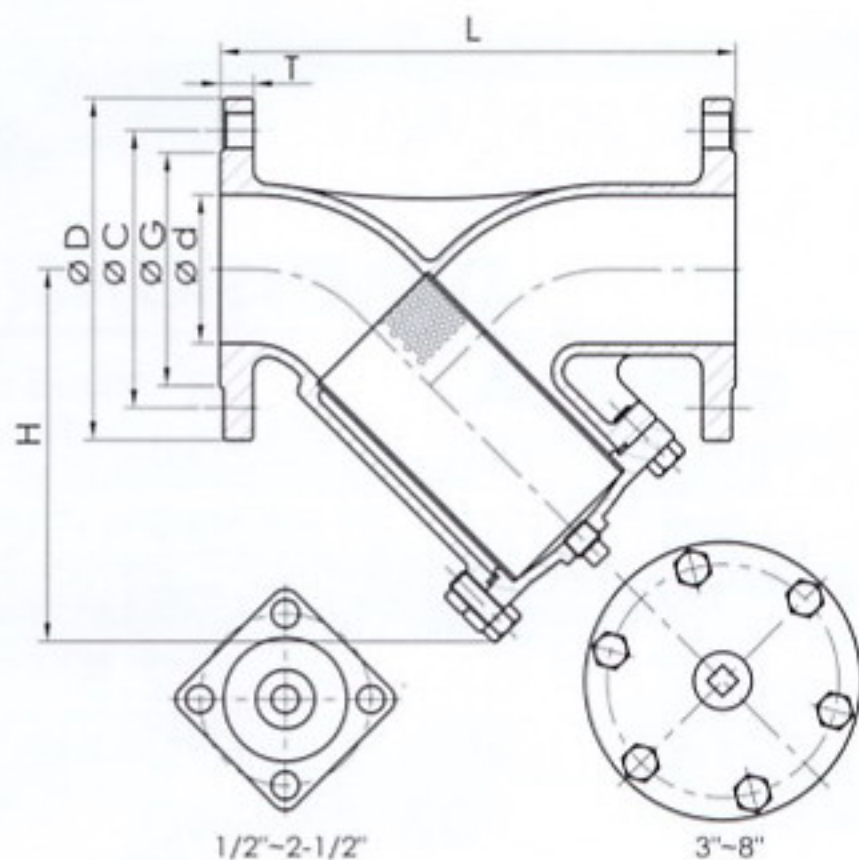
MATERIALS LIST

| PART NAME | MATERIALS | | |
|----------------|-----------------------|-------------|--------|
| BODY | WCB | SCS13 | SCS14 |
| | WCB | CF8 | CF8M |
| COVER | WCB | SCS13 | SCS14 |
| | WCB | CF8 | CF8M |
| DISC | WCB | SUS304 | SUS316 |
| DISC RING | SUS304 | SUS304 | SUS316 |
| DISC NUT | F6 | SUS304 | SUS316 |
| SEAT RING | SUS304 | SUS304 | SUS316 |
| COVER BOLT/NUT | B7 | ASTM 194-B8 | |
| ARM | WCB | SUS304 | SUS316 |
| CASKET | PTFE (OR NO ASBESTOS) | | |
| PLUG | A105 | SUS304 | SUS316 |

VT-YF

Y-STRAINERS 10K/150LBS FULL PORT, FLANGED END CAST IRON/WCB/CF8/CF8M

SIZE: 1/2"~10"



| PART NAME | MATERIALS | | | | |
|-------------|------------------------|-------|-----|-----|------|
| BODY | SCS13 | SCS14 | WCB | CF8 | CF8M |
| BONNET | SCS13 | SCS14 | WCB | CF8 | CF8M |
| GASKET | PTFE | | | | |
| SCREEN | SUS304 | | | | |
| BONNET BOLT | ASTM A194-B8 / A194-2H | | | | |
| DRAIN PLUG | SUS304 | | | | |

| SIZE | L | H | D | | C | | G | | T | |
|--------|-----|-----|-----|-----|-----|-------|-----|-----|-----|------|
| | | | 10K | 150 | 10K | 150 | 10K | 150 | 10K | 150 |
| 1/2" | 120 | 75 | 95 | 89 | 70 | 60.5 | 52 | 35 | 12 | 11.1 |
| 3/4" | 140 | 75 | 100 | 98 | 75 | 70 | 58 | 43 | 14 | 11.1 |
| 1" | 150 | 100 | 125 | 108 | 90 | 79.5 | 70 | 51 | 14 | 11.1 |
| 1 1/2" | 190 | 120 | 140 | 127 | 105 | 98.5 | 85 | 73 | 16 | 14.3 |
| 2" | 210 | 140 | 155 | 152 | 120 | 120.5 | 100 | 92 | 16 | 15.9 |
| 2 1/2" | 250 | 175 | 175 | 178 | 140 | 139.5 | 120 | 105 | 18 | 17.5 |
| 3" | 280 | 196 | 185 | 190 | 150 | 152.5 | 130 | 127 | 18 | 19.1 |
| 4" | 340 | 244 | 210 | 229 | 175 | 190.5 | 155 | 157 | 18 | 23.9 |
| 5" | 380 | 277 | 250 | 254 | 210 | 216 | 185 | 186 | 20 | 23.9 |
| 6" | 420 | 320 | 280 | 279 | 240 | 241.5 | 215 | 216 | 22 | 25.4 |
| 8" | 500 | 390 | 330 | 343 | 290 | 298.5 | 265 | 270 | 22 | 28.6 |