

XDV-UD

UNI-DIRECTIONAL
KNIFE GATE VALVES



XDV-UD WITH HANDWHEEL



XDV-UD WITH PNEUMATIC ACTUATOR

ACCORDING TO

- ✓ AS6401 & MSS SP-81

FEATURES

- Replaceable seat.
- Special L - Shaped retained seat.
- SS316 stem and gland.
- Fully lugged to suit AS4087 CL16.
- Position indicator, stem protection & tube included.
- Gearboxes included on DN450 and above.
- Safety guards included on actuated version.
- Viton seat as standard.
- 100% drip tight sealing.
- Temperature range up to 260°C (depending on seat).

OPTIONS

- Bi-directional version.
- Ductile iron or Duplex body.
- Wafer type body.
- EPDM, NBR, Silicone or metal seat.
- Electric or pneumatic actuator.
- Non-rising stem.
- Limit switches.
- Chain wheel.
- Clockwise & anti-clockwise close.

TECHNICAL DATA

Size Range:	DN50 - DN1500
Pressure Classes:	PN10
Face to face:	As per AS6401 & MSS SP-81
Maximum Temperature Rating:	170°C Viton (standard) 110°C EPDM (optional) 80°C NBR (optional) 170°C Silicone (optional) Up to 400°C Metal (optional)
Flange Connection:	AS4087, Class 16. (others on request)

FACTORY ACCREDITED:



MATERIAL SPECIFICATIONS & PARTS LIST

NO.	DESCRIPTION	MATERIAL
1	Body	CF8M
2	Gate	SS316
3	Retaining Ring	SS316
4	Sealing Ring	Viton
5	Packing	PTFE + Silicone
6	Packing Gland	CF8M
7	Indicator	SS420
8	Stem	SS316
9	Support Plates	ASTM A36
10	Block	ASTM A216 WCB
11	Bolt	SS316
12	Nut	SS316
13	Bolt	SS316
14	Stem Nut	ASTM B148 C95200
15	Handwheel	Carbon Steel
16	Handwheel Cap	ASTM A36
17	Protector	ASTM A36
18	Bevel Gearbox	Proprietary

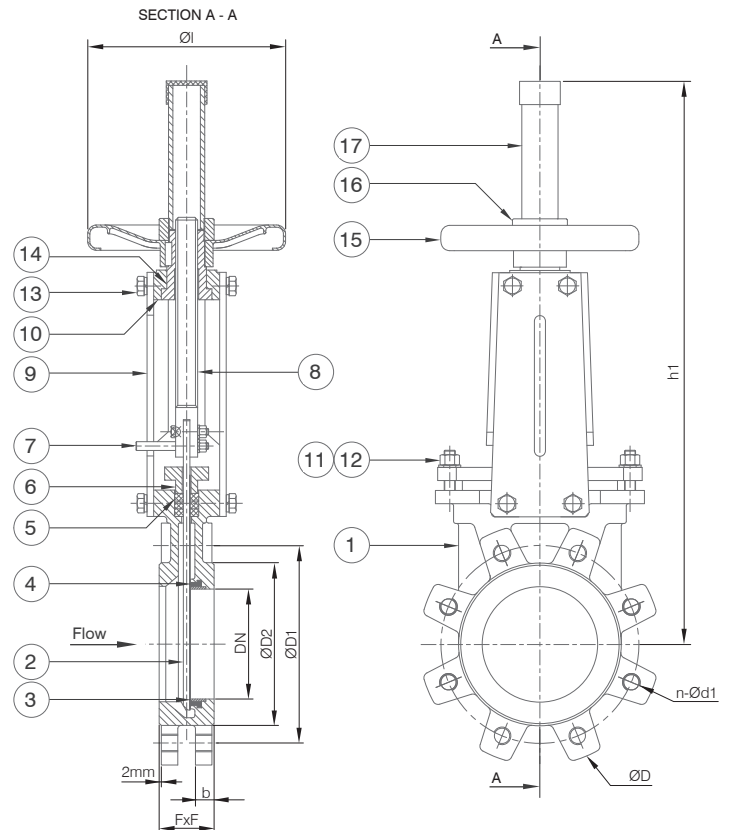
DIMENSIONS (MM)

XDV-UD DN50-DN1000												
DN	FxF	b	h1	ØI	ØD	ØD1	ØD2	n-Ød1	Torque (N.m)	No. of turns	Weight (Kg)	
50	48	16	375	180	152	114	90	4-M16	12.1	19	8	
65	51	16	420	180	178	127	103	4-M16	15	23	10	
80	51	17	450	200	190	146	122	4-M16	17	27	10	
100	51	17	512	200	215	178	154	4-M16	21	31	13	
125	57	19	570	220	254	210	186	8-M16	27	38	16	
150	57	19	665	250	280	235	211	8-M16	39	35	22	
200	70	23	825	300	343	292	268	8-M16	54	45	34	
225	70	23	900	320	370	324	300	8-M16	54	44	48	
250	70	23	1000	320	405	356	328	8-M20	84	46	51	
300	76	25	1155	350	483	406	378	12-M20	108	54	71	
350	76	25	1310	450	533	470	438	12-M24	133	63	95	
375	89	29	1450	450	550	495	463	12-M24	173	69	115	
400	89	29	1475	500	580	521	489	12-M24	149	71	128	
450	89	29	1170	310	640	584	552	12-M24	210	79	210	
500	114	38	1280	460	705	641	609	16-M24	248	88	285	
600	114	38	1485	460	825	756	720	16-M27	317	78	345	
700	117	38	1670	460	910	845	809	20-M27	510	90	922	
800	117	38	1880	530	1060	984	942	20-M33	540	97	1047	
900	117	38	2120	530	1175	1092	1050	24-M33	742	103	1828	
1000	117	38	2270	530	1255	1175	1133	24-M33	940	93	2144	

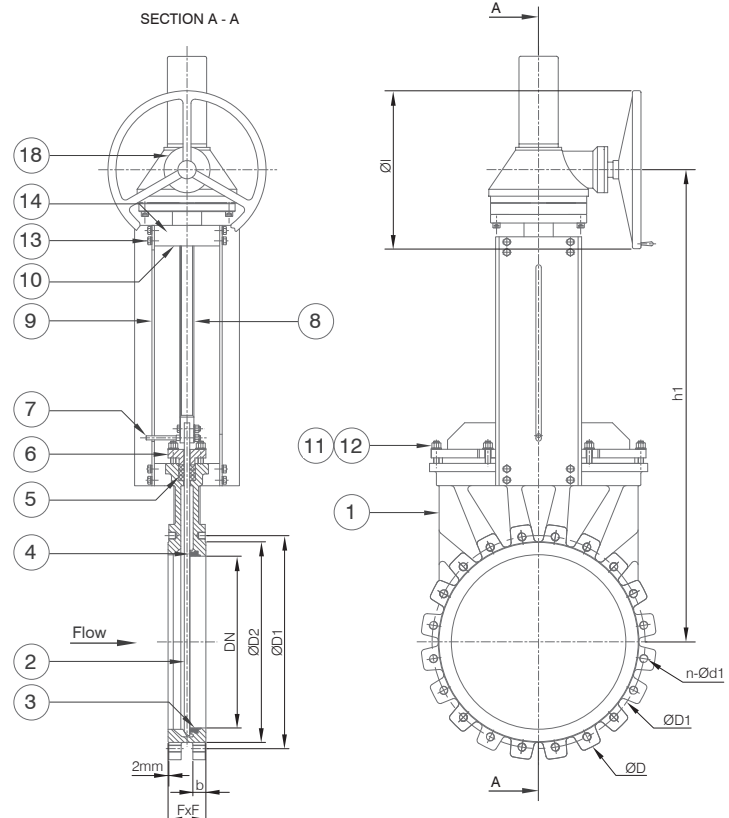
Note: Other sizes available on request.

DIMENSIONAL DRAWINGS

XDV-UD WITH HANDWHEEL
DN50-DN400



XDV-UD WITH BEVEL GEARBOX
DN450-DN1000



Designs, materials and specifications shown are subject to change without notice due to our continuing program of product development. XDV-UD_V2_20140826

All content is protected by Copyright and is owned and/or licensed by AVFI Pty Ltd. Copyright © AVFI Pty Ltd.

MATERIAL SPECIFICATIONS & PARTS LIST

NO.	DESCRIPTION	MATERIAL
1	Body	CF8M
2	Gate	SS316
3	Retaining Ring	SS316
4	Sealing Ring	Viton
5	Packing	PTFE + Silicone
6	Packing Gland	CF8M
7	Indicator	SS420
8	Stem	SS316
9	Support Plates	ASTM A36
10	Block	ASTM A216 WCB
11	Bolt	SS316
12	Nut	SS316
13	Bolt	SS316
14	Pneumatic Actuator	Aluminium

DIMENSIONS (MM)

XDV-UD WITH PNEUMATIC ACTUATOR DN50-DN600							
DN	FxF	b	h1	L	ØD	ØD1	ØD2
50	48	16	430	90x90	152	114	90
65	51	16	460	90x90	178	127	103
80	51	17	510	90x90	190	146	122
100	51	17	570	115x115	215	178	154
125	57	19	660	140x140	254	210	186
150	57	19	720	140x140	280	235	211
200	70	23	890	180x180	343	292	268
225	70	23	1120	215x215	370	324	300
250	70	23	1120	215x215	405	356	328
300	76	25	1230	215x215	483	406	378
350	76	25	1370	280x280	533	470	438
375	89	29	1570	280x280	550	495	463
400	89	29	1570	280x280	580	521	489
450	89	29	1720	280x280	640	584	552
500	114	38	1850	840x840	705	641	609
600	114	38	2150	840x840	825	756	720

Note: Other sizes available on request.

DIMENSIONAL DRAWINGS

XDV-UD WITH PNEUMATIC ACTUATOR
DN50-DN600

