

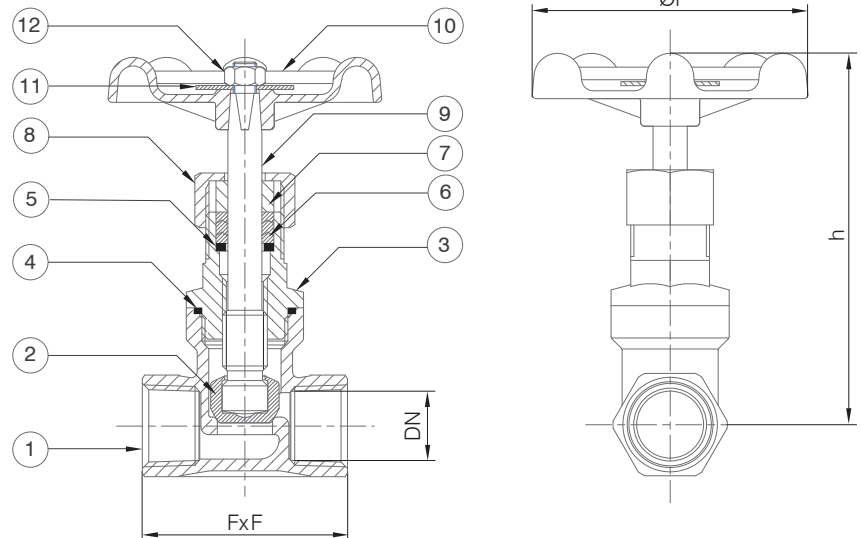


## TECHNICAL DATA

Size Range:	DN8 - DN50 (1/4" - 2")
Pressure Rating at 20°C:	200PSI W.O.G.
Features:	<ul style="list-style-type: none"> <li>• Threaded BSP.</li> <li>• Quality Investment casting body.</li> <li>• Stainless steel class 200 inside screw &amp; screwed bonnet.</li> <li>• Swivel disc integral seat, rising stem &amp; handwheel.</li> </ul>

## MATERIAL SPECIFICATIONS & PARTS LIST

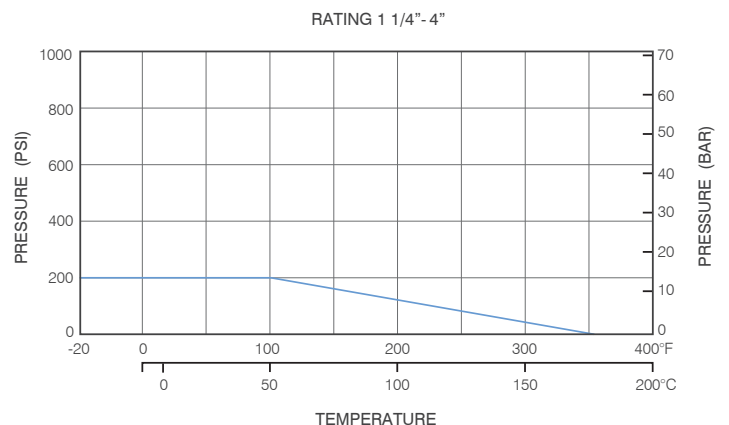
NO.	DESCRIPTION	MATERIAL
1	Body	CF8M
2	Disc	CF8M
3	Bonnet	CF8M
4	Gasket	PTFE
5	Whorl Gasket	SS304
6	Packing	PTFE
7	Gland	SS304
8	Cap Nut	CF8M
9	Stem	SS316
10	Handle	Aluminium
11	Nameplate	Aluminium
12	Stem Nut	SS304



## DIMENSIONS (MM)

VTGL SERIES DN8 - DN50							
DN	NPS	FxF	h (Closed)	h (Opened)	ØI	CV Factor	Weight (Kg)
8	1/4"	52	95	106	70	2	0.34
10	3/8"	52	95	106	70	3	0.32
15	1/2"	52	95	106	70	3.8	0.34
20	3/4"	66	100	114	80	7	0.45
25	1"	76	110	127	80	11	0.66
32	1 1/4"	86	130	150	90	21	0.98
40	1 1/2"	94	130	154	100	29	1.27
50	2"	118	139	170	100	50	2.03

## PRESSURE RATINGS



FACTORY ACCREDITED:



FIRE SAFETY  
APPROVAL AP1607

6D-0645

No. WZ 1093  
HH 1

NUMBER  
0035

Designs, materials and specifications shown are subject to change without notice due to our continuing program of product development. VTGL\_V1\_20120816.

All content is protected by Copyright and is owned and/or licensed by AVFI Pty Ltd. Copyright © AVFI Pty Ltd.