

TECHNICAL DATA

Size Range: DN15 - DN300 (½" - 12")

Pressure Rating: ANSI150

- Features:
- Investment casting body
 - Full port
 - Bolted bonnet
 - AP1598 testing
 - Design API603

MATERIAL SPECIFICATIONS & PARTS LIST

NO.	DESCRIPTION	MATERIAL
1	Body	SS316
2	Disc	SS316
3	Nut	SS304
4	Arm Hinge	SS316
5	Hinge Pin	SS316
6	Gasket	PTFE (DN15-DN150) SS304 + Graphite (DN200 - DN300)
7	Bonnet	SS316
8	Spring Washers	SS304
9	Bonnet Bolt	SS304
10	Bolt	SS304

DIMENSIONS (MM)

VT-WCF-316 SERIES (CLASS 150) DN15 - DN300											
DN	NPS	FxF	b	b1	h1	ØD	ØD1	ØD2	n-Ød1	CV Factor	Weight (Kg)
15	½"	108	12.1	1.6	51	89	60.5	35	4-16	21	1.45
20	¾"	117	12.1	1.6	54	98	70	43	4-16	37	1.86
25	1"	127	12.1	1.6	64	108	79.5	51	4-16	48	2.3
40	1 ½"	165	14.3	1.6	75	127	98.5	73	4-16	55	4.71
50	2"	203	15.9	1.6	97	152	120.5	92	4-19	76	7.2
65	2 ½"	216	17.5	1.6	111	178	139.5	105	4-19	178	11.33
80	3"	241	19.1	1.6	120	190	152.5	127	4-19	149	13.8
100	4"	292	23.9	1.6	162	229	190.5	157	8-19	280	28
125	5"	330	23.9	1.6	179	254	216	186	8-22	378	37.4
150	6"	356	25.4	1.6	203	279	241.5	216	8-22	480	47.4
200	8"	495	28.6	1.6	236	343	298.5	270	8-22	770	80.3
250	10"	622	30.2	1.6	302	406	362	324	12-25	1300	133
300	12"	698	31.8	1.6	340	483	432	381	12-25	1678	146

Note: Other sizes available on request.

FACTORY ACCREDITED:



FIRE SAFETY
APPROVAL AP1607

6D-0645

No. WZ 1093
HH 1

NUMBER
0035

Designs, materials and specifications shown are subject to change without notice due to our continuing program of product development. VT-WCF-316-150_V1_20130721.

All content is protected by Copyright and is owned and/or licensed by AVFI Pty Ltd. Copyright © AVFI Pty Ltd.

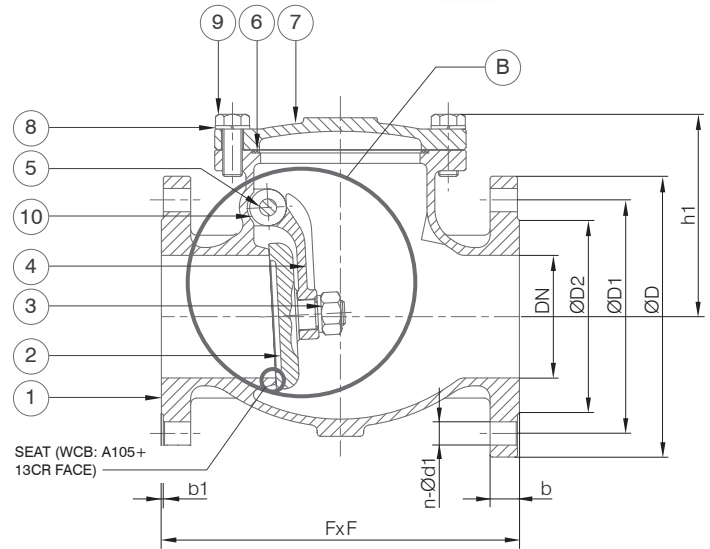
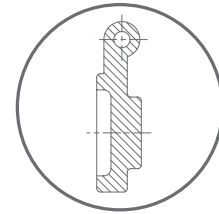
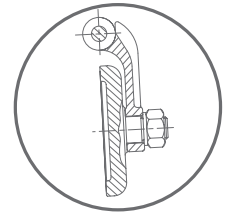


FIGURE 1: DETAIL VIEW B

DN15 - DN80



DN100 & ABOVE



TEMPERATURE RATINGS

CLASS 150 RATING
DN15-DN300 (½" - 12")

