

V3WMHFS-316 SERIES

3 PIECE FULL BORE BSP LEVER OPERATED,
HIGH PRESSURE 316 STAINLESS STEEL BALL VALVE,
DIRECT MOUNTING PAD, FIRE SAFE APPROVED.

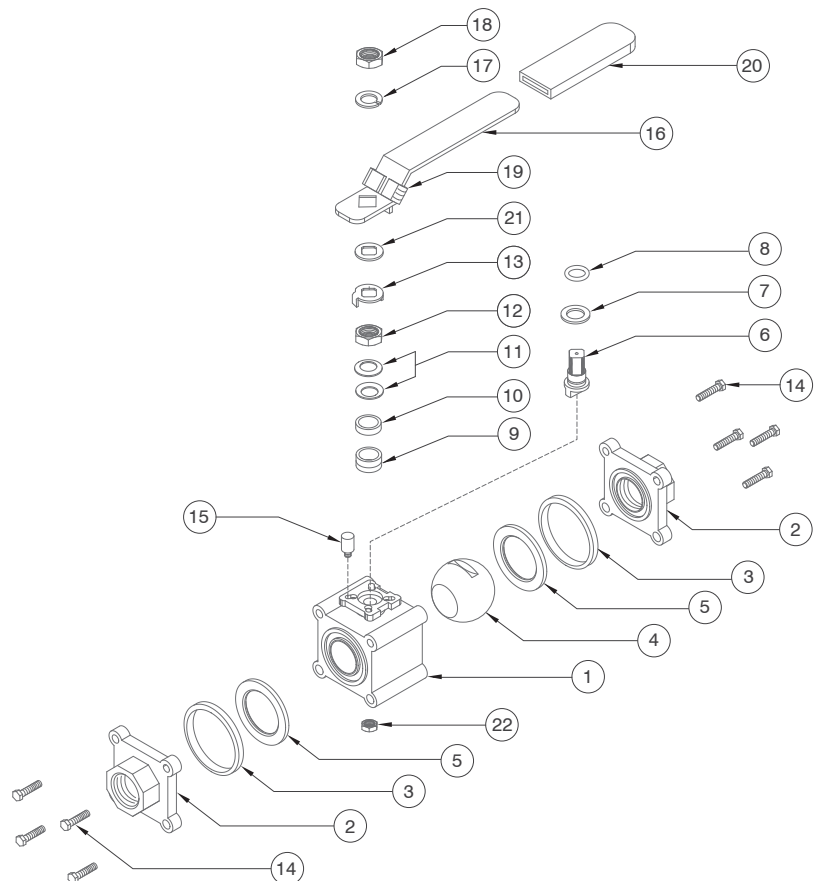
TECHNICAL DATA

Size Range:	DN8 - DN100 (1/4" - 4")
Pressure Rating at 20°C:	3000PSI W.O.G (1/4" - 1") 2000PSI W.O.G (1 1/4" - 4")
Pressure Test:	API598
Features:	<ul style="list-style-type: none"> • SS316 body, cap & ball. • Full bore. • Threaded BSP. • Quality Investment casting body & cap. • 3000psi (200bar) for sizes up to 25mm, 2000psi for sizes 32mm and above. • Internal entry blow-out proof stem. • Lever handle with locking device. • Direct mounting pad ISO 5211. • API 607 Fire-safe approved.



MATERIAL SPECIFICATIONS & PARTS LIST

NO.	DESCRIPTION	MATERIAL
1	Body	CF8M
2	End Cap	CF8M
3	Joint Gasket	Graphite
4	Ball	CF8
5	Seat	TFM 1600
6	Stem	SS316
7	Thrust Washer	Carbon
8	O-Ring	Viton
9	Stem Packing	Graphite
10	Stem Ring	SS304
11	Belleville Washer	SS304
12	Stem Nut	SS304
13	Saddle Washer	SS304
14	Hex Bolt	SS304
15	Stop Pin	SS304
16	Handle	SS304
17	Spring Washer	SS304
18	Handle Nut	SS304
19	Locking Device	SS304
20	Handle Sleeve	PVC
21	Square Washer	SS304



page 1

FACTORY ACCREDITED:



FIRE SAFETY
APPROVAL AP1607



6D-0645



No. WZ 1093
HH 1



NUMBER
0035

Designs, materials and specifications shown are subject to change without notice due to our continuing program of product development. V3WMHFS-316_V1_20121108A.

All content is protected by Copyright and is owned and/or licensed by AVFI Pty Ltd. Copyright © AVFI Pty Ltd.

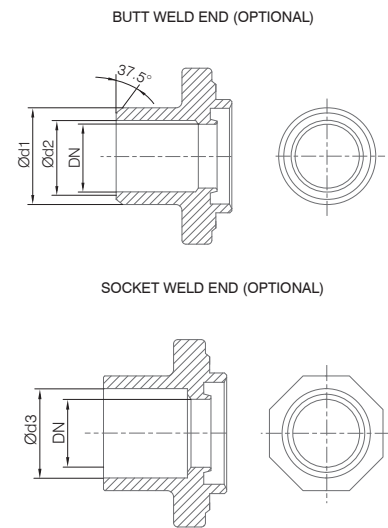
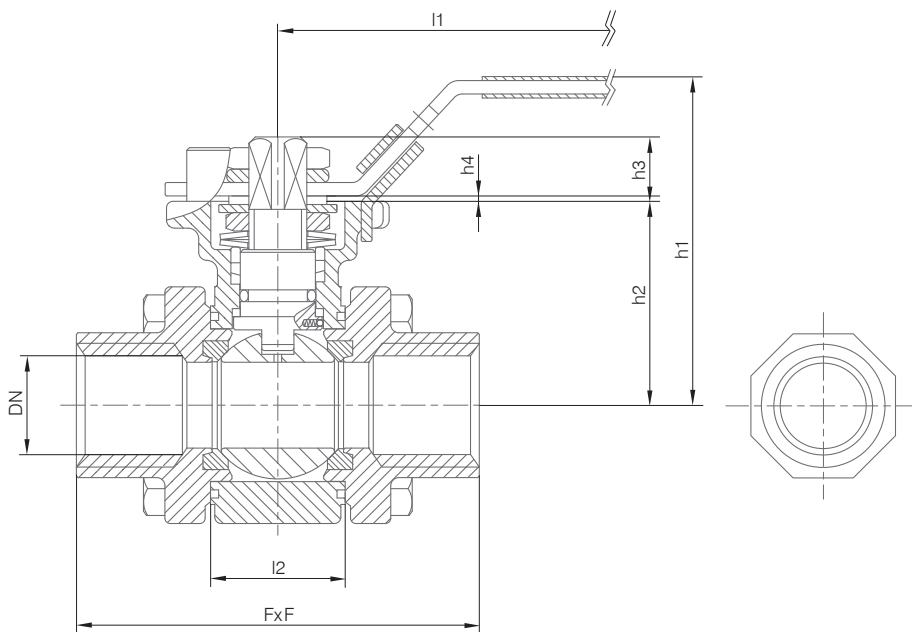
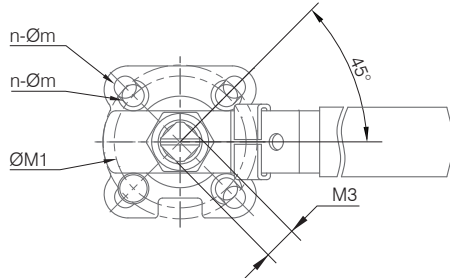
AVFI Pty Ltd: 54 Enterprise Drive, Bundoora, Victoria, Australia 3083
T: 03 8467 0000 F: 03 8467 0099 E: avfi@avfi.com.au www.avfi.com.au

V3WMHFS-316 SERIES

3 PIECE FULL BORE BSP LEVER OPERATED,
HIGH PRESSURE 316 STAINLESS STEEL BALL VALVE,
DIRECT MOUNTING PAD



DIMENSIONAL DRAWINGS



page 2

DIMENSIONS (MM)

V3WMHFS DN8 - DN100									ISO 5211 TOP FLANGE						BUTT/SOCKET WELD			
DN	NPS	FxF	h1	h2	h3	h4	l1	l2	FLANGE NO.	n-Øm	ØM1	M3	CV Factor	Torque (N.m)	Weight (Kg)	Ød1	Ød2	Ød3
8	1/4"	65	58	34	10	2-3	112	23	F03	4-6	36	9	7	5	0.5	18	12	14
10	3/8"	65	58	34	10	2-3	112	23	F03	4-6	36	9	8	5	0.5	18	14	18
15	1/2"	75	62	38	12	2-3	112	24	F03/04	4-6	36/42	9	12	5	0.6	22	17	22
20	3/4"	80	66	43	12	2-3	125	28	F03/04	4-6	36/42	11	21	8	1.0	28	23	27
25	1"	90	75	50	12	2-3	138	34	F04/05	4-6/7	42/50	11	34	14	1.3	34	28	34
32	1 1/4"	110	80	55	12	2-3	138	44	F04/05	4-6/7	42/50	11	57	20	2.3	44	34	44
40	1 1/2"	120	95	65	16	2-3	170	53	F05/07	4-7/9	50/70	14	80	27	3.6	50	43	50
50	2"	140	104	75	16	2-3	170	65	F05/07	4-7/9	50/70	14	148	35	7.0	62	53	62
65	2 1/2"	185	153	103	36	2-3	325	75	F05/10	75	70/102	75	—	—	11	76	69	77
80	3"	205	163	113	36	2-3	325	75	F05/10	75	70/102	75	—	—	15	92	82	90
100	4"	240	185	150	36	2-3	350	75	F10/12	75	102/125	75	—	—	28	115	106	116

PRESSURE RATINGS

