

## V2 SERIES

2 PIECE FULL BORE BSP LEVER OPERATED  
316 STAINLESS STEEL BALL VALVE

### TECHNICAL DATA

Size Range:	DN8 - DN100 (1/4" - 4")
Pressure Rating at 20°C:	1000PSI W.O.G
Pressure Test:	API598
Features:	<ul style="list-style-type: none"> <li>• SS316 body, cap &amp; ball.</li> <li>• Full bore.</li> <li>• Threaded BSP.</li> <li>• Quality Investment casting body &amp; cap.</li> <li>• Internal entry blow-out proof stem.</li> <li>• Lever handle with locking device.</li> </ul>

### MATERIAL SPECIFICATIONS & PARTS LIST

NO.	DESCRIPTION	MATERIAL	NO.	DESCRIPTION	MATERIAL
1	Body	CF8M	8	Stem Packing	PTFE
2	Cap	CF8M	9	Gland Nut	SS304
3	Ball	CF8M	10	Handle	SS304
4	Seat	PTFE	11	Spring Washer	SS304
5	Joint Gasket	PTFE	12	Stem Nut	SS304
6	Stem	SS316	13	Handle Sleeve	Plastic
7	Thrust Washer	PTFE	14	Locking Device	SS304

### DIMENSIONS (MM)

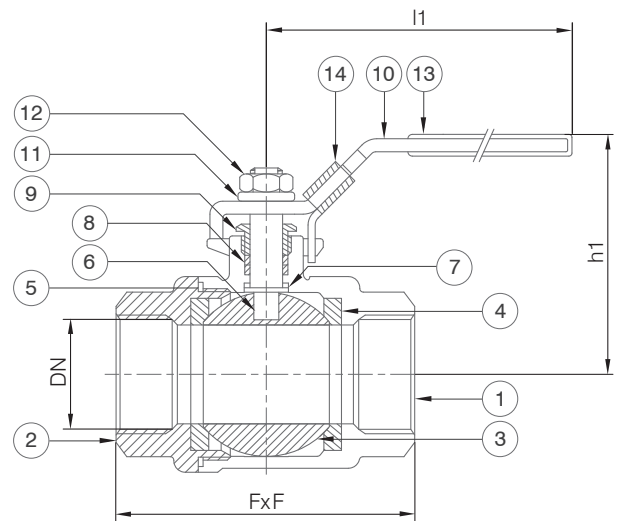
V2 DN8 - DN100							
DN	NPS	FxF	h1	l1	CV Factor	Torque (N.m)	Weight (Kg)
8	1/4"	48	48	100	6	5	0.2
10	3/8"	48	48	100	7	5	0.2
15	1/2"	58	52	100	10	5	0.3
20	3/4"	66	61	127	25	8	0.4
25	1"	77	65	127	35	12	0.6
32	1 1/4"	90	79	154	46	18	1.0
40	1 1/2"	98	83	154	80	22	1.3
50	2"	121	97	192	110	26	2.5
65	2 1/2"	145	135	244	310	49	4.8
80	3"	166	144	244	360	76	7.5
100	4"	240	159	275	820	108	17.1

FACTORY ACCREDITED:



Designs, materials and specifications shown are subject to change without notice due to our continuing program of product development. V2\_V1\_20120921.

All content is protected by Copyright and is owned and/or licensed by AVFI Pty Ltd. Copyright © AVFI Pty Ltd.



### PRESSURE RATINGS

