

TECHNICAL DATA

Size Range:	DN80 - DN300
Pressure Class	PN25
Face to face:	AS2638.2 - 2011
Flange:	AS4087 CL35
Pressure Testing:	AS2638.2 - 2011
Coating:	AS4020 Approved

FEATURES

- Materials, lengths and tests conform to AS2638.2
- PN35 Flanged.
- Can be fitted with ISO mount pad.
- Low torque conforming to AS2638.2

OPTIONS

- Handwheel, Keycap or Gear Box operation available.
- Spindle extensions

MATERIAL SPECIFICATION & PARTS LIST

NO.	DESCRIPTION	MATERIAL
1	Body	Ductile Iron (AS1831)
2	Wedge	Ductile Iron (AS1831)
	Wedge Rubber	EPDM (AS1646)
3	Stem Nut	ZCuAL10Fe3 (AS1565)
4	Stem	SS431 (ASTM A276)
5	Bonnet Gasket	EPDM (AS1646)
6	Bonnet	Ductile Iron (AS1831)
7	Bonnet Bolt	SS316 (ASTM A276)
9	Washer	POM (AS1646)
10	Washer	ZCuAL10Fe3 (AS1565)
11	Bonnet O-Ring	NBR (AS1646)
12	Top Bonnet O-Ring	NBR (AS1646)
13	Thrust Collar	POM
14	Seal Retainer	Ductile Iron (AS1831)
15	Dustproof Cover	EPDM (AS1646)
16	Top Bonnet Bolt	SS316
17	Plastic Cap	Plastic
18	Stem Cap	Ductile Iron (AS1831)
19	Stem Cap Bolt	SS316 (ASTM A276)
20	Handwheel	Ductile Iron (AS1831)
21	Handwheel Washer	Carbon Steel
22	Handwheel Bolt	SS316 (ASTM A276)

DIMENSIONAL DRAWINGS

FIGURE 1. RSGV-HP WITH HANDWHEEL
SECTION A - A

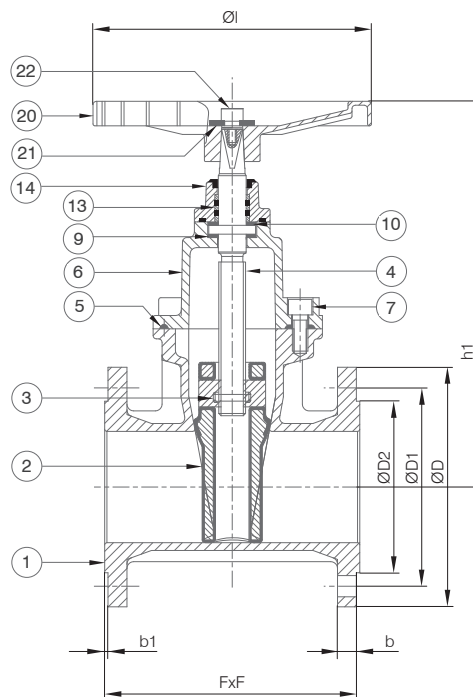
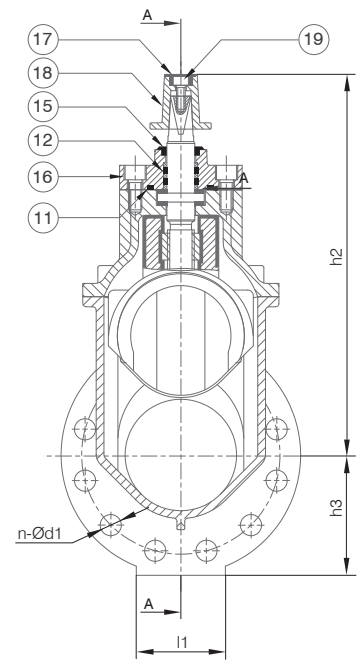


FIGURE 2. RSGV-HP WITH KEYCAP



DIMENSIONS (MM)

RSGV-HP DN80 - DN300																
DN	FxF	b	b1	h1	h2	h3	Øl	l1	ØD	ØD1	ØD2	n-Ød1	Closure Turns	Torque (n.m)	Weight (Kg)	
80	203	22	3	320	308	100	200	80	205	165	141	8-18	22	75	23	
100	229	22	3	350	342	115	250	80	230	191	167	8-18	22	100	32	
150	267	27	3	470	460	155	350	80	305	260	232	12-22	32	150	53	
200	292	31	3	565	580	185	350	140	370	324	296	12-22	36	200	82	
225	305	34	3	660	675	203	500	170	405	356	324	12-26	44	200	120	
250	330	34	3	660	675	215	500	180	430	381	349	12-26	44	250	135	
300	356	38	4	770	780	245	500	190	490	438	406	16-26	45	300	185	

FACTORY ACCREDITED:



AS2638.2



ISO 9001