

TECHNICAL DATA

Size Range:	DN15 - DN150 (½" - 6")
Pressure Rating:	ANSI 300
Pressure Test:	ANSI B16.34
Features:	<ul style="list-style-type: none"> • End flange dimensions to ANSI B16.34. • Investment casting body with ISO 5211 direct mounting pad included. • Locking device. • Fixed bore/ full port. • Four seats. • L-Port or T-Port available/ 360° pad. • Anti-static device & fire safe design. • Also available in Duplex.

MATERIAL SPECIFICATIONS & PARTS LIST

NO.	DESCRIPTION	MATERIAL	NO.	DESCRIPTION	MATERIAL
1	Body	CF8M/ WCB	16	Handle Head	CF8
2	Cap	CF8M/ WCB	17	Plastic Cover	Plastic
3	Ball	CF8M/ CF8	18	Handle Pole	SS304
4	Seat	RPTFE	19	Handle Bolt	SS304
5	Gasket	RPTFE	20	Sleeve	RPTFE
6	O-Ring	Viton	21	Cap-A	CF8M/ CF8
7	Packing	RPTFE	22	Cap-A Bolt	SS304
8	Gland	SS304	23	Stem	SS316/ SS304
9	Spring Washer	SS304	24	Thrust Washer	PEEK+PTFE
10	Cap-B	CF8M/ WCB	25	Stem Nut	SS304
11	Cap-B Bolt	SS304	26	Stop Washer	SS304
12	Stopper Pin	SS304	27	Handle Washer	SS304
13	Nut & Bolt	SS304	28	Locking Device	SS304
14	Gasket	RPTFE	29	Handle	SS304
15	Cap-C	CF8M/ CF8	30	Plastic Sleeve	Plastic

DIMENSIONS (MM)

3WAY-300 DN15 - DN150														
DN	NPS	FxF	b	b1	ØD	ØD1	ØD2	n-Ød1	h1	h4	l1	ØM1	n-Øm	M3
15	½"	160	14.3	1.6	95	66.5	35	4-16	80	9	123	36/42	4-6	9
20	¾"	165	15.9	1.6	117	82.5	43	4-19	84	9	123	36/42	4-6	9
25	1"	180	17.5	1.6	124	89	51	4-19	96	11	153	42/50	4-6/7	11
32	1 ¼"	221	19.1	1.6	133	98.5	64	4-19	171	19	403	70	4-10	17
40	1 ½"	221	20.7	1.6	156	114.5	73	4-22	171	19	403	70	4-10	17
50	2"	254	22.3	1.6	165	127	92	8-19	176	19	403	70	4-10	17
65	2 ½"	300	25.4	1.6	190	149	105	8-22	198	24	504	102	4-12	22
80	3"	305	28.6	1.6	210	168	127	8-22	216	24	504	102	4-12	22
100	4"	369	31.8	1.6	254	200	157	8-22	236	24	504	102	4-12	22
150	6"	498	36.6	1.6	318	270	216	12-22	329	38	800	140	4-18	36

FACTORY ACCREDITED:



FIRE SAFETY
APPROVAL AP1607



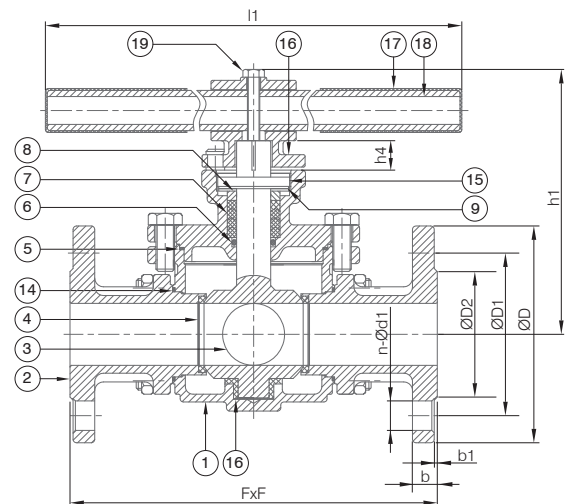
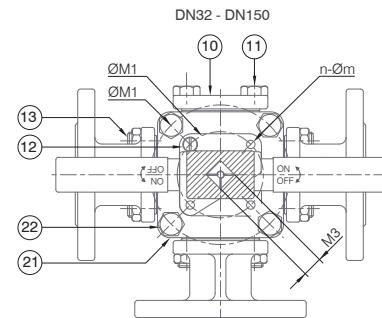
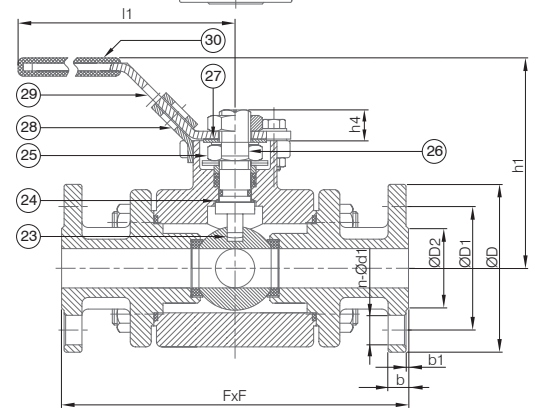
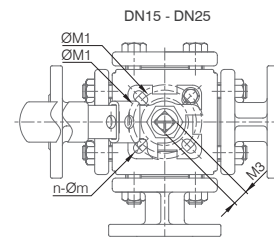
6D-0645



No. WZ 1093
HH 1



NUMBER
0035



Designs, materials and specifications shown are subject to change without notice due to our continuing program of product development. 3WAY-300_V1_20131107.

All content is protected by Copyright and is owned and/or licensed by AVFI Pty Ltd. Copyright © AVFI Pty Ltd.