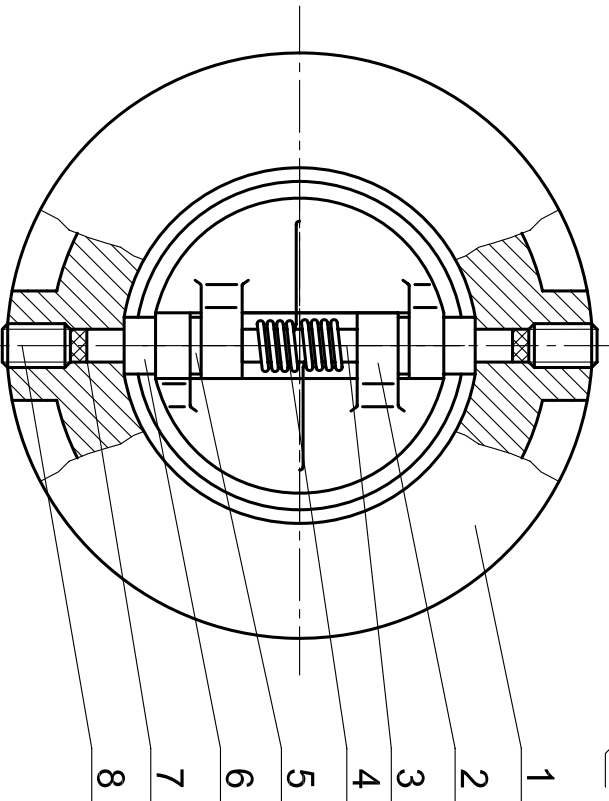
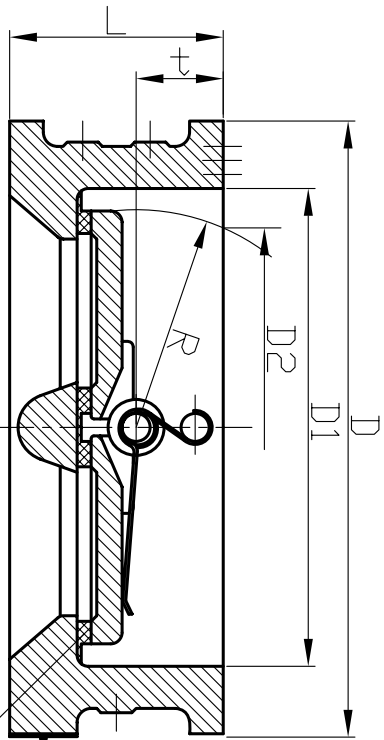


Specification



Size	DN40~DN800	DN40~DN600
Pressure	1.0MPa	1.6MPa
Test Pressure	Seat	1.1MPa
	Shell	1.5MPa
Service Temperature		2.4MPa
		1-EPDM
		-30°C~+110°C
		-7°C~+93°C
Appropriate medium		-12°C~+82°C
		3-NBR
		4-Viton
	Service Fluid Freshwater, Sea water, Air, steam, food, medicine and kinds of oil, acid, alkali, salt	

1. Design and manufacture according to JB/T 8937
2. Face to face according to DIN3202 K1
3. Flange drilling according to AS2129 Table E
4. Pressure test according to API598.

DN	D	D1	D2	L	R	t
40	84	57	35	43	25.8	19
50	96	65	40	43	27	18.4
65	109	80	60	46	35	19.8
80	128	94	70	64	42	27.7
100	160	117	88	64	50	27.7
125	192	145	115	70	64	30.3
150	217	171	134	77	76	31.6
200	274	224	182	89	102.5	32.9
250	334	265	220	114	125	50.5
300	384	310	260	114	146	43.3
350	444	360	298	127	170	45.3
400	495	410	350	140	195	52.3
450	538	450	385	152	215	58.2
500	615	505	438	152	238	58.3
600	726	624.5	538	178	292	74.6
700	815	720	662	229	345	98
800	948	825	762	241	394	100
900	1056	914.4	862	368.3	433	140

N O .	N A M E	M A T E R I A L
1	Body	GG25
2	Disc	SS316
3	Stem	SS416/SS316
4	Spring	SS304
5	Washer	PTFE
6	Disc Washer	PTFE
7	Stem Gasket	EPDM
8	Hex nut	A193 B
9	Seat	EPDM

AVFI

Pressure	PN16 / PN10	Name	Check Valve
Size	DN40-DN900	Operator	Fig. C1000
Date		Drawing No. 7	