

C31

◆ Technical Data

Size	DN50-DN600
Working Pressure	PN16
Face to Face	DIN3202-K3
Flange Drilling	ANSI125,EN1092PN16,AS2129 TABLE D/E
Inspection and Test	API598

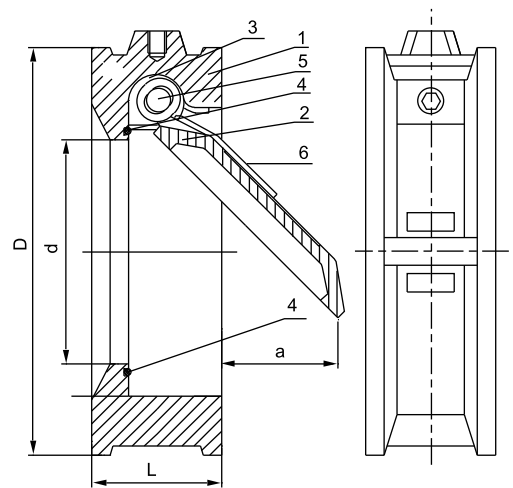
◆ Product Features:

This type of wafer swing check valve incorporates several excellence distinguishing it from conventional check valves for silent, fast, no slam operation. The most prominent of these is the accurately machined clapper and its special quick closing action. Spring loading of disc assures instantaneous closure to reversing flow, preventing build-up of momentum, the causes free movement of the disc and eliminates seizure under extreme conditions. Resilient seat inserts are standard for positive sealing of hard-to-hold solvents and fluids.

◆ Material of Construction

Parts	Description	Material	Specification
1	Body	Cast Iron	A126B *
2	Disc	Stainless Steel	A351 CF8M *
3	Hinge Arm	Stainless Steel	A351 CF8M *
4	Seat	EPDM	*
5	Hinge Pin	Stainless Steel	AISI 410 *
6	Spring	Stainless Steel	AISI 304 *

* Other material request kindly refer to Bill of Main Materials of AVFI



◆ Dimensions

Size		L	D			a	d
DN	NPS		TableD/E	ANSI125	EN1092PN16		
50	2"	44.5	98	102	106	29	33
65	2-1/2"	48	111	121	126	30	47
80	3"	51	130	134	141	56	52
100	4"	57	162	172	161	75	76
125	5"	63.5	194	194	191	95	95
150	6"	70	216	220	217	114	121
200	8"	73	273	277	272	156	168
250	10"	79	337	337	337	187	194
300	12"	86	384	407	382	222	241
350	14"	108	444	447	446	229	267
400	16"	108	495	511	515	248	318
450	18"	108	558	546	550	300	356
500	20"	140	615	602	610	324	387
600	24"	152	723	715	733	387	423

AVFI Products specifications in this catalogues are provided for reference only. For precise measurements, please contact AVFI Technical Service, AVFI reserve the right to change or modify product design, construction, specifications, or materials without prior notice and without incurring any obligation to make such changes and modifications on AVFI products previously or subsequently sold.

* Other available Flange drilling kindly refer to the attached Flange Drilling Dimensions.