

**Resilient seated swing check valve AS 4794
Flanges and drilling to AS 4087 Fig. B5**

Use:

For potable water and sewage applications

Valve designed for use up to 60°C

Where applicable; for AS 4020 compliance, max temp = 40°C

Note: Always observe pipe material recommended operating temperatures

Tests:

Hydrostatic test to AS 4794

Seat: 16 bar

Body: 24 bar

Optional extras:

Lever and weight:

Mounted RHS as standard

Can be mounted LHS on request

AS 2129 Table "E" drilling

Limit switch and cam

Materials:

Body and bonnet Ductile iron to AS 1831 grade 500-7

Coating Electrostatically applied epoxy resin to AS 4158 - Internally and externally

Shaft Stainless steel to ASTM A276 Gr. 316

Bonnet gasket EPDM rubber

Bushing Copper alloy AS/NZS 1567 C486

Hexagon bolt, washer and pin Stainless steel A4

Resilient seated disc EPDM rubber with a steel insert

Hinge DN 80 - 200: Stainless steel to ASTM A276 Gr. 316

DN 250 - 300: Ductile iron to AS 1831 Grade 500-7

Accessory kit:

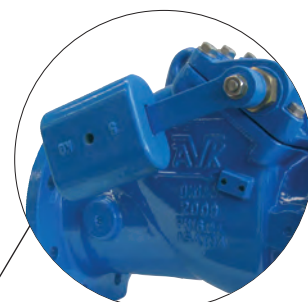
Weight, hinge lever and weight Ductile iron to AS 1831 grade 500-7

Cam 316 SS



Australian Standard

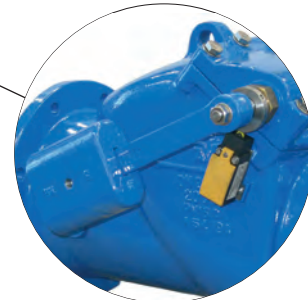
AS4794:2001
Lic. SMK20363
SAI Global



Lever & Weight



Free Acting + Limit Switch

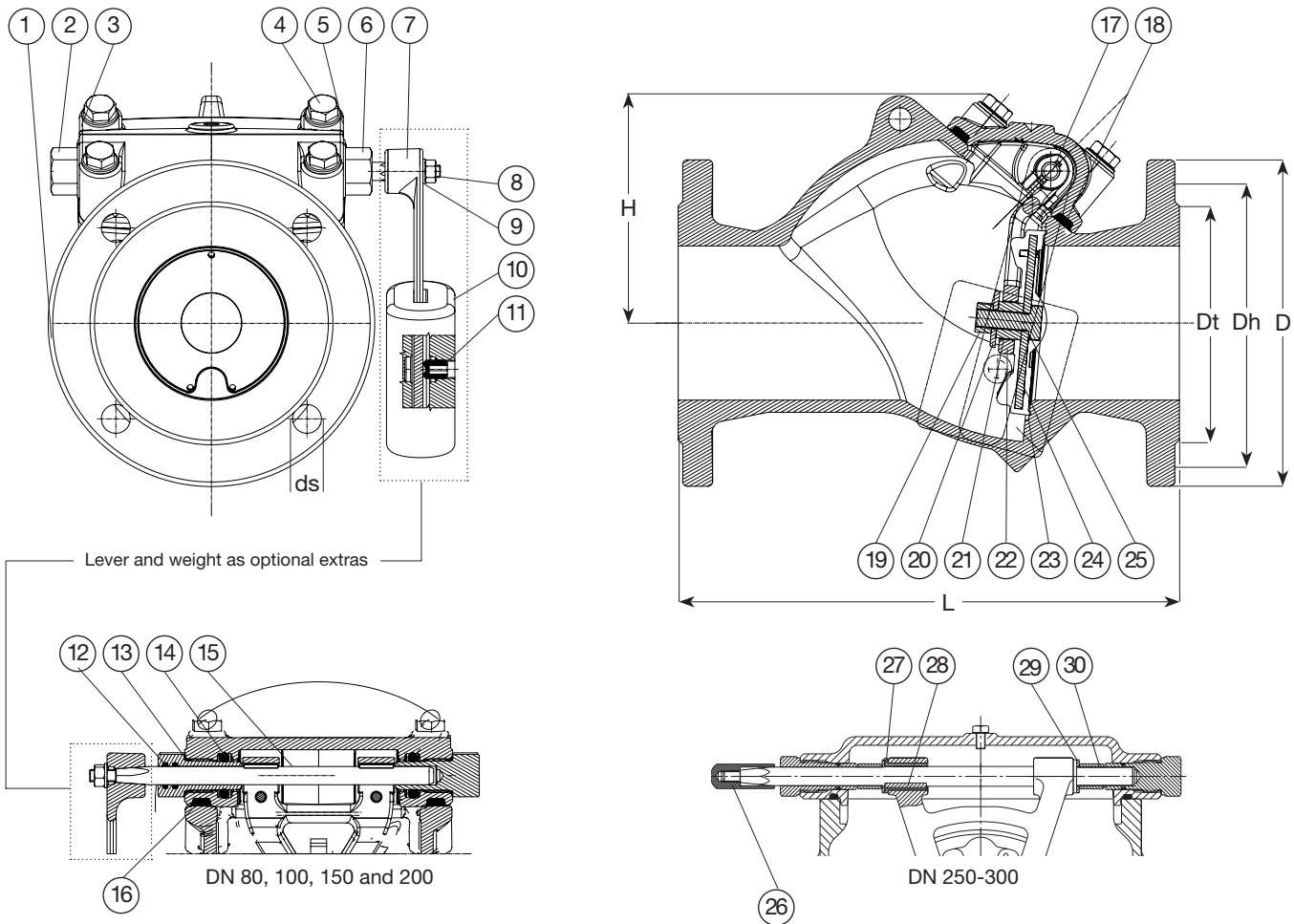


Lever & Weight + Limit Switch

Resilient seated swing check valve AS 4794
Flanges and drilling to AS 4087 Fig. B5

Component list

- | | | | | |
|-------------------|----------------|-------------------|-------------------------|----------------------|
| 1. Body | 7. Lever | 13. O-ring | 19. Nut | 25. Hexagon bolt |
| 2. Bushing closed | 8. Nut | 14. O-ring | 20. Washer | 26. Shaft protector |
| 3. Bonnet | 9. Washer | 15. Shaft | 21. Bushing | 27. Connector |
| 4. Hexagon bolt | 10. Weight | 16. Bonnet gasket | 22. Hinge | 28. Key |
| 5. Washer | 11. Grub screw | 17. Hexagon | 23. Disc rubber coating | 29. Retaining washer |
| 6. Bushing open | 12. O-ring | 18. Tab washer | 24. Disc insert | 30. Spacer |



Free acting

Ref.nos. AS4087 "B5"	Ref.nos. Table E	DN	L	H mm	Dt mm	D mm	Dh mm	ds mm	Holes mm	Weight kilos
41-080-810271206	41-080-810371206	80	260	140	122	185	146	18	4	18
41-100-810271206	41-100-810371206	100	330	150	154	215	178	18	4	21
41-150-810271206	41-150-810371206	150	410	195	209	280	235	18	8	38
41-200-810271206	41-200-810371206	200	540	230	264	335	292	18	8	66
41-250-810271206	41-250-810371206	250	640	270	328	405	356	22	8	132
41-300-810271206	41-300-810371206	300	700	300	376	455	406	22	12	187

With lever & weight

Ref.nos. AS4087 "B5"	Ref.nos. Table E	DN	L	H mm	Dt mm	D mm	Dh mm	ds mm	Holes mm	Weight kilos
41-080-820271206	41-080-820371206	80	260	140	122	185	146	18	4	22
41-100-820271206	41-100-820371206	100	330	150	154	215	178	18	4	25
41-150-820271206	41-150-820371206	150	410	195	209	280	235	18	8	44
41-200-820271206	41-200-820371206	200	540	230	264	335	292	18	8	72
41-250-820271206	41-250-820371206	250	640	270	328	405	356	22	8	138
41-300-820271206	41-300-820371206	300	700	300	376	455	406	22	12	193