



# Australian Valve & Filter Industries

[www.avfi.com.au](http://www.avfi.com.au)

## 1170 SERIES DOUBLE FLANGED BUTTERFLY VALVE SEAL ON BODY TO AS4795



1170G



1170E

Model 1170 is a short pattern series 20 double flanged butterfly valve conforming to AS4795, featuring 100% shut off and bi-directional sealing through a replaceable rubber liner

Valve Type	Double Flanged Butterfly Valve
Size Range	DN 250 - DN 1200 (10" - 48")
Working Pressure	PN 16
Flange Drilling	AS4087 CL16 Others On Request
Coating	AS4020 Approved Epoxy Coated Internally & Externally
Top Flange	ISO 5211
Face-to-Face	AS4795 / EN 558 Series 20
Test Standard	AS4795 / EN 12266-1

\*\* Please contact us for other sizes and pressures

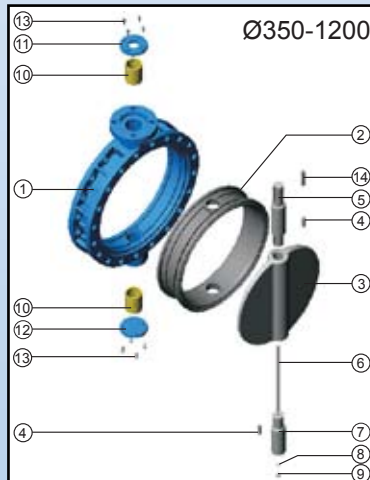
### Ø250-300 PARTS LIST & MATERIAL SPECIFICATION

P.NO	PART NAME	MATERIAL
1	BODY	GGG50 EPOXY COATED TO AS4020
2	BODY SEAT	EPDM (OPTIONS: NBR, VITON, HYPALON, NEOPREN, NR, SILICONE)
3	DISC	AISI 316, AL-BZ, GGG-50, EPOXY COATED
4	STEM	316SS OR 431SS
5	BEARING	PTFE + CARBON STEEL
6	O-RING	NBR
7	WASHER	316SS
8	BOLT	316SS
9	BEARING	SB (CARBON STEEL + PTFE)
10	LOWER COVER	ST-37
11	BOLT	316SS



### Ø350-1200 PARTS LIST & MATERIAL SPECIFICATION

P.NO	PART NAME	MATERIAL
1	BODY	GGG50 EPOXY COATED TO AS4020
2	BODY SEAT	EPDM (OPTIONS: NBR, VITON, HYPALON, NEOPREN, NR, SILICONE)
3	DISC	AISI 316, AL-BZ, GGG-50, EPOXY COATED
4	KEY	C 45 K
5	UPPER STEM	316SS OR 431SS
6	CONNECTING STUD	316SS OR 431SS
7	LOWER STEM	316SS OR 431SS
8	WASHER	316SS
9	NUT	316SS
10	BEARING	SB (CARBON STEEL + PTFE)
11	UPPER COVER	C 45
12	LOWER COVER	C 45
13	BOLT	316SS
14	KEY	C 45 K

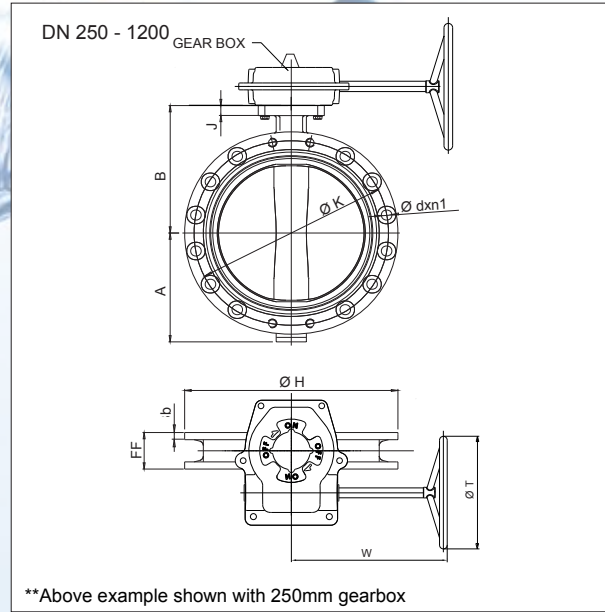
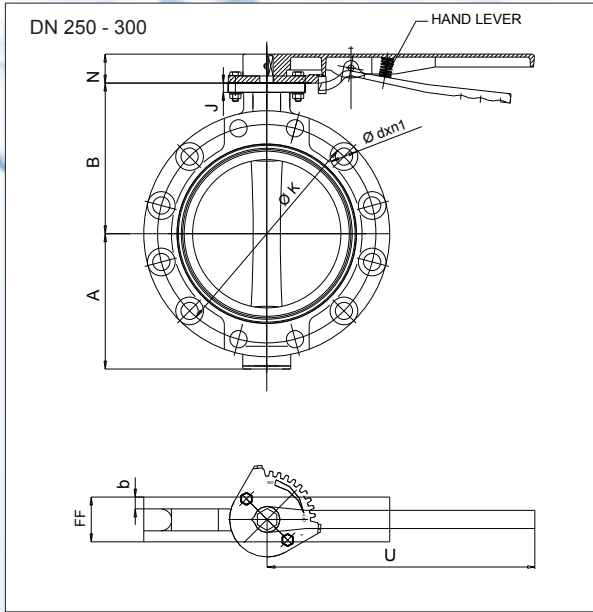




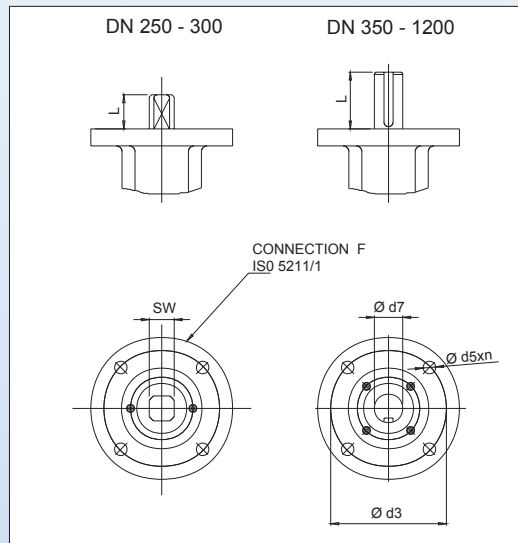
# Australian Valve & Filter Industries

www.avfi.com.au

## 1170 SERIES DOUBLE FLANGED BUTTERFLY VALVE SEAL ON BODY TO AS4795



\*\*Above example shown with 250mm gearbox



DN	A	B	b	FF	Ø H	J	N	U	W	Ø T	F	Ø d5xn	SW Ø d7	L	Ø d3	AS4087 B5 CL16			FREE SHAFT Weight (kg)	HAND LEVER Type	GEAR BOX Type
																Ø K	Ø d	n1			
Ø 250	212	245	15	68	400	15	47	435	238	260	10	11x4	22	32	102	356	22	8	35	92-400/500	93-200
Ø 300	243	282	19	78	455	15	47	435	238	260	10	11x4	27	32	102	406	22	12	46	92-400/500	93-250
Ø 350	300	318	20	78	515	28	-	-	315	400	14	17.5x4	36	75	140	470	26	12	66	-	93-250
Ø 400	326	362	20	102	575	28	-	-	315	400	14	17.5x4	36	75	140	521	26	12	87	-	93-250+SPUR 1
Ø 450	365	410	25	114	635	26	-	-	315	400	16	22x4	45	92	165	584	26	12	128	-	93-300+SPUR 1
Ø 500	408	435	27	127	710	26	-	-	315	550	16	22x4	45	92	165	641	26	16	165	-	93-300+SPUR 1
Ø 600	482	519	30	154	835	26	-	-	315	600	16	22x4	60	92	165	756	30	16	216	-	93-300+SPUR 1
Ø 700	564	548	30	165	905	32	-	-	414	700	25	18x8	68	118	254	845	30	20	310	-	93-400+SPUR 1
Ø 750	587	587	32	190	1020	35	-	-	414	800	25	18x8	80	118	254	927	33	20	428	-	93-400+SPUR 1+SPUR 1
Ø 800	587	587	32	190	1020	35	-	-	414	800	25	18x8	80	118	254	984	36	20	428	-	93-400+SPUR 1+SPUR 1
Ø 900	655	661	37	203	1115	30	-	-	414	800	25	18x8	80	118	254	1092	36	24	560	-	93-500+SPUR 2+SPUR 2
Ø 1000	718	751	63.5	216	1255	30	-	-	560	800	25	18x8	100	118	254	1175	36	24	760	-	93-500+SPUR 2+SPUR 2
Ø 1200	985	1005	69.8	254	1330	40	-	-	414	800	30	22x8	100	118	298	1410	36	32	1100	-	93-500+SPUR 2+SPUR 2