



# Australian Valve & Filter Industries

[www.avfi.com.au](http://www.avfi.com.au)

## 1160 SERIES DOUBLE FLANGED BUTTERFLY VALVE TO AS4795 SEAL ON BODY DESIGN



1160G

Model 1160 is a long pattern series 13 double flanged butterfly valve conforming to AS4795, featuring 100% shut off and bi-directional sealing through a replaceable rubber liner.

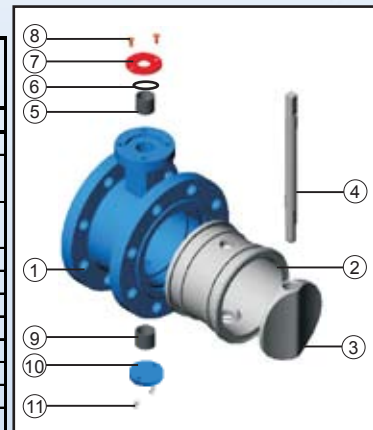
Valve Type	Double Flanged Butterfly Valve
Size Range	DN 100 - DN 700 (4" - 28")
Working Pressure	PN10, PN16, PN25 (Opt)
Flange Drilling	AS4087 Others On Request
Coating	AS4020 Approved Epoxy Coated Internally & Externally
Top Flange	ISO 5211
Face-to-Face	AS4795 / EN558 Series 13
Test Standard	AS4795 / EN 12266-1

\*\* Please contact us for other sizes and pressures

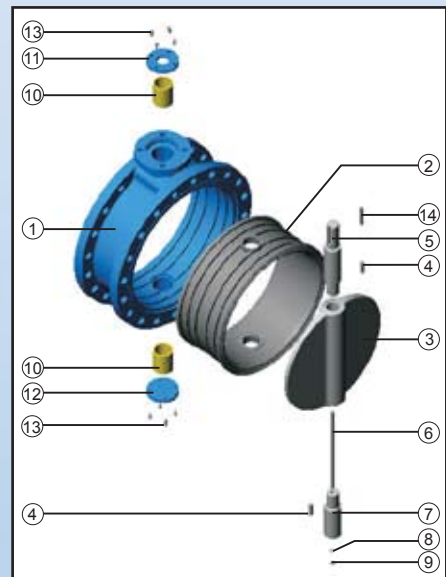


1160E

PARTS LIST & MATERIAL SPECIFICATION Ø100-300MM PN 10 - PN 16		
P.NO	PART NAME	MATERIAL
1	BODY	GGG-50 EPOXY COATED TO AS4020
2	BODY SEAT	EPDM (OPTIONAL: NBR, VITON, HYPALON, NEOPREN, NR, SILICONE )
3	DISC	AISI 316, AL-BZ, GGG-50, EPOXY COATED TO AS4020
4	STEM	316SS OR 431SS
5	BEARING	SB (CARBON STEEL)
6	O-RING	NBR
7	WASHER	316SS
8	BOLT	316SS
9	BEARING	SB (CARBON STEEL + PTFE)
10	LOWER COVER	ST-37, A-2
11	BOLT	316SS



PARTS LIST & MATERIAL SPECIFICATION Ø350-700MM PN 10 - PN 16		
P.NO	PARTNAME	MATERIAL
1	BODY	GGG-50 EPOXY COATED TO AS4020
2	BODY SEAT	EPDM (OPTIONAL: NBR, VITON, HYPALON, NEOPREN, NR, SILICONE )
3	DISC	AISI 316, AL-BZ, GGG-50, EPOXY COATED TO AS4020
4	KEY	C 45 K
5	UPPER STEM	316SS OR 431SS
6	CONNECTING STUD	316SS OR 431SS
7	LOWER STEM	316SS OR 431SS
8	WASHER	316SS
9	NUT	316SS
10	BEARING	SB (CARBON STEEL + PTFE)
11	UPPER COVER	C 45
12	LOWER COVER	C 45
13	BOLT	316SS
14	KEY	C 45 K

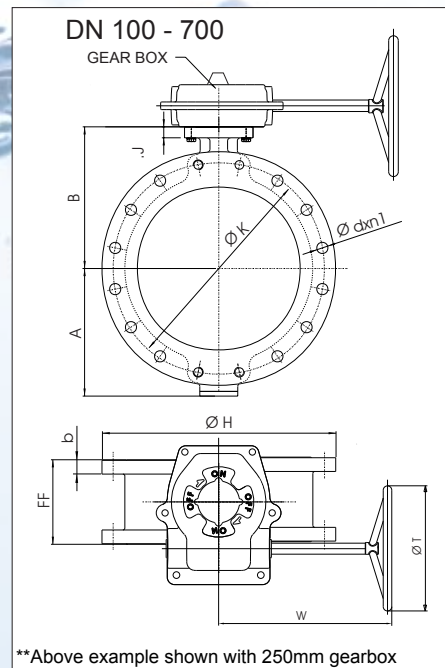
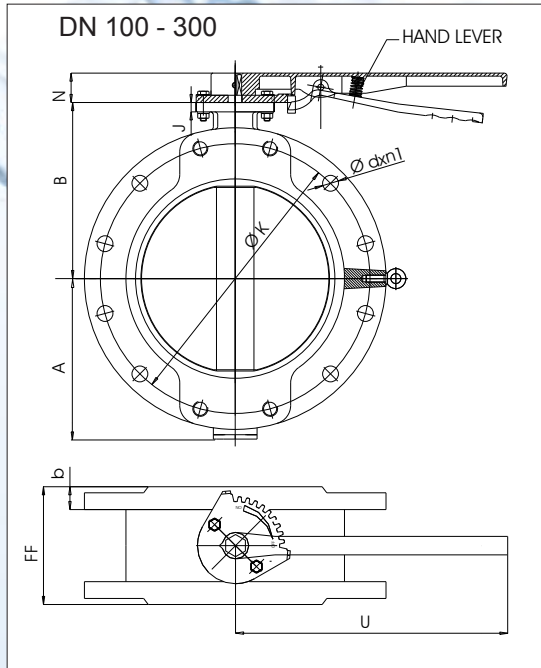




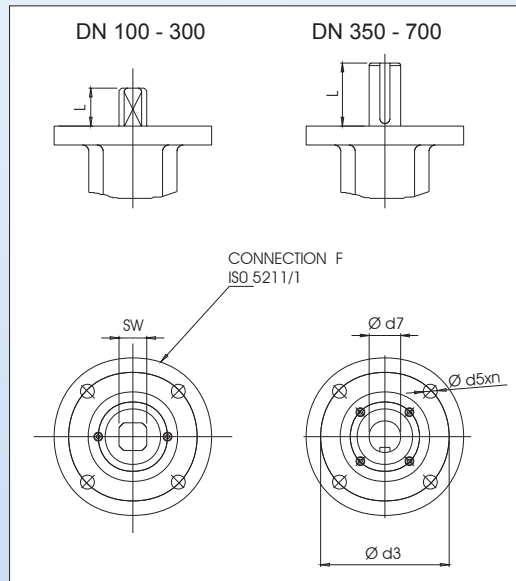
# Australian Valve & Filter Industries

www.avfi.com.au

## 1160 SERIES DOUBLE FLANGED BUTTERFLY VALVE TO AS4795 SEAL ON BODY DESIGN



\*\*Above example shown with 250mm gearbox



DN	A	B	b	FF	Ø H	J	N	U	W	Ø T	F	Ød5xn	Ø d7	L	Ø d3	AS4087 B5 CL16			FREESHAF Weight (kg)	HAND LEVER	GEAR BOX
																Ø K	Ø d	n1		Type	Type
Ø 100	112	155	23.9	127	220	14	37	270	159	200	07	9x4	14	32	70	178	18	4	20	92-200	93-100
Ø 125	125	160	23.9	140	250	14	37	270	159	200	07	9x4	14	32	70	210	18	8	22	92-200	93-100
Ø 150	146	189	25.4	140	285	14	37	320	159	200	07	9x4	17	32	70	235	18	8	23	92-300	93-100
Ø 200	170	213	28.4	152	340	15	37	435	238	260	10	11x4	17	32	102	292	18	8	37	92.400/500	93-200
Ø 250	220	250	30.2	165	405	15	47	435	238	260	10	11x4	22	32	102	356	22	8	70	92.400/500	93-200
Ø 300	247	290	31.8	178	460	15	47	435	238	260	10	11x4	27	32	102	406	22	12	93	92.400/500	93-250
Ø 350	300	318	35	190	520	28	-	-	315	400	14	17.5x4	Ø 36	75	140	470	26	12	120	-	93-250
Ø 400	326	367	36.8	216	580	28	-	-	315	400	14	17.5x4	Ø 45	75	140	521	26	12	187	-	93-250+SPUR 1
Ø 450	364	410	39.8	222	640	28	-	-	315	400	16	22x4	Ø 45	92	165	584	26	12	200	-	93-300+SPUR 1
Ø 500	410	447	42.9	229	715	28	-	-	315	550	16	22x4	Ø 50	92	165	641	26	16	255	-	93-300+SPUR 1
Ø 600	482	525	47.8	267	840	28	-	-	414	600	16	22x4	Ø 65	92	165	756	30	16	265	-	93-300+SPUR 1
Ø 700	564	548	53	229	910	30	-	-	414	700	25	18x8	Ø 68	118	254	845	30	24	317	-	93-400+SPUR 1